

UPower 88

Bore x Stroke

47x49,5mm

valves clearance

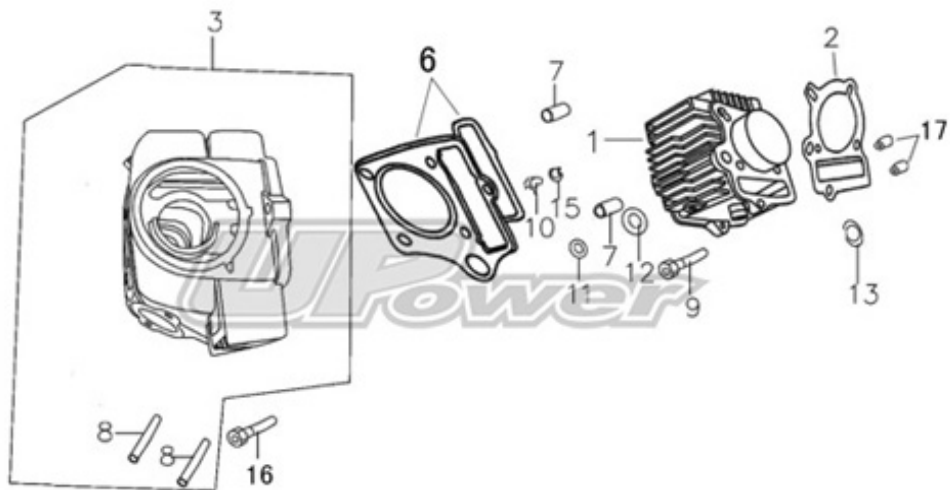
0,05 /0,05 mm



**DO NOT
COPY**

E-1

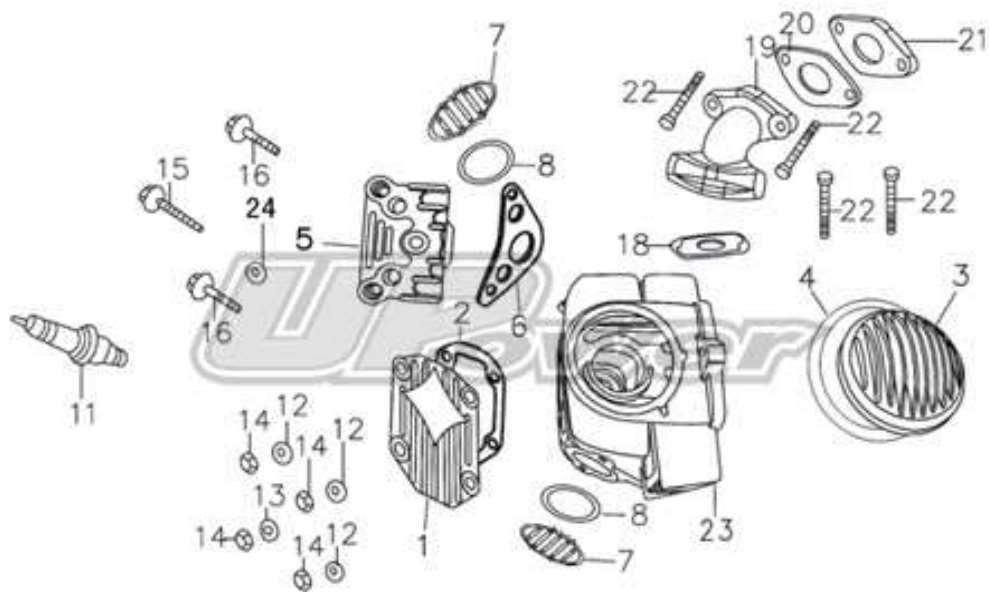
CYLINDER ASSY



DO NOT
COPY

Ref.No.	UPower No.	Description	Qty	Remark
1	3687	CYLINDER BODY	1	iron cast 47mm bore
2	1867	CYLINDER BASE GASKET	1	0,40mm thickness
3	3288	CYLINDER HEAD ASSY	1	with valves, camshaft, rockers
3		CYLINDER HEAD	1	
6	2479	CYLINDER HEAD GASKET	1	1mm thickness
7	728	ASSEMBLING PIN 8×14	2	
8	3516	BOLT M6 x 38	2	
9	2710	BOLT M6 x 30	1	
10	N/A		1	
11	N/A		1	
12	182	RECTANGLE HEAD RING SEAL GASKET	1	
13	189	RECTANGLE BASE RING SEAL GASKET	1	
15	N/A		1	
16	3213	BOLT M6 x 25	1	
17	728	ASSEMBLING PIN 8 × 12	2	

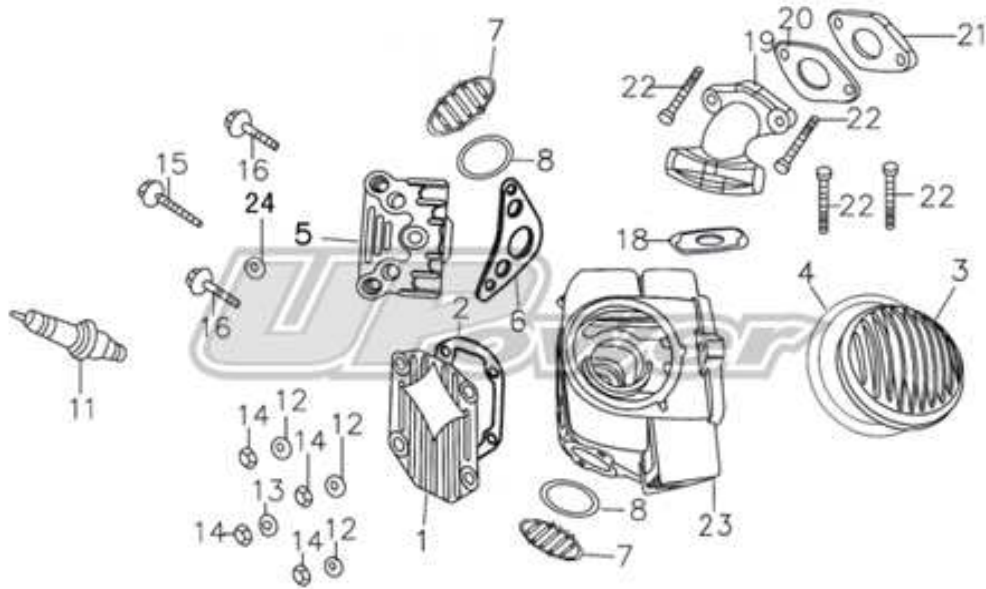
CYLINDER HEAD



**DO NOT
COPY**

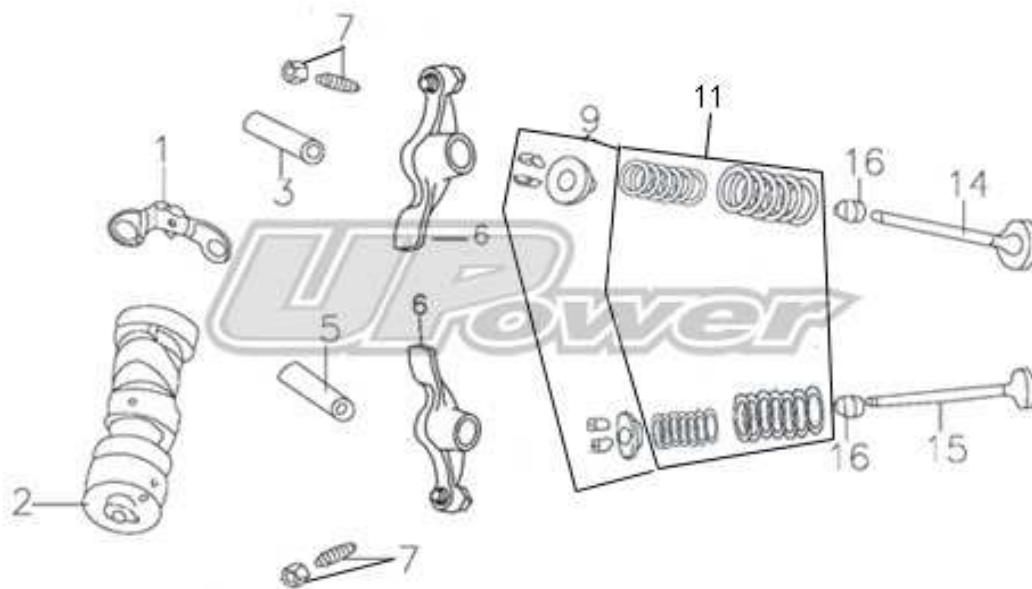
Ref.No.	UPower No.	Description	Qty	Remark
1	879	CYLINDER HEAD TOP COVER	1	
2	3384	CYLINDER HEAD TOP COVER GASKET	1	
3	2399	CYLINDER HEAD LEFT COVER	1	
4	1868	CYLINDER HEAD LEFT COVER GASKET	1	
5	1098	CYLINDER HEAD RIGHT COVER	1	
6	2784	CYLINDER HEAD RIGHT COVER GASKET	1	
7	435	VALVE ADJUSTER COVER	2	round cover
8	2198	VALVE ADJUSTER COVER O RING	2	
11	468	NGK SPARKING CR7HSA	1	low charge, cold weather
11	6	NGK SPARKING CR8HSA	1	high charge, hot weather
12	N/A	STEEL WASHER	3	
13	N/A	COPER WASHER	1	lower right side
14	N/A	NUT	4	screw torque 1,2 m.kg
15	826	BOLT M6 x 110	1	

CYLINDER HEAD



Ref.No.	UPower No.	Description	Qty	Remark
16	3213	BOLT M6 x 25	2	
18	1017	INTAKE GASKET	1	
19	2128	INTAKE PIPE	1	
20	2609	PIPE GASKET	1	
21	2459	HEAT REDUCER	1	
22	2710	BOLT M6 x 30	4	
23	3288	CYLINDER HEAD ASSY	1	with valves, camshaft, rockers
24	N/A	ALUMINIUM WASHER 6	1	
20+21	2459	ISOTHERMAL JOIN HEAD TO PIPE SET	1	

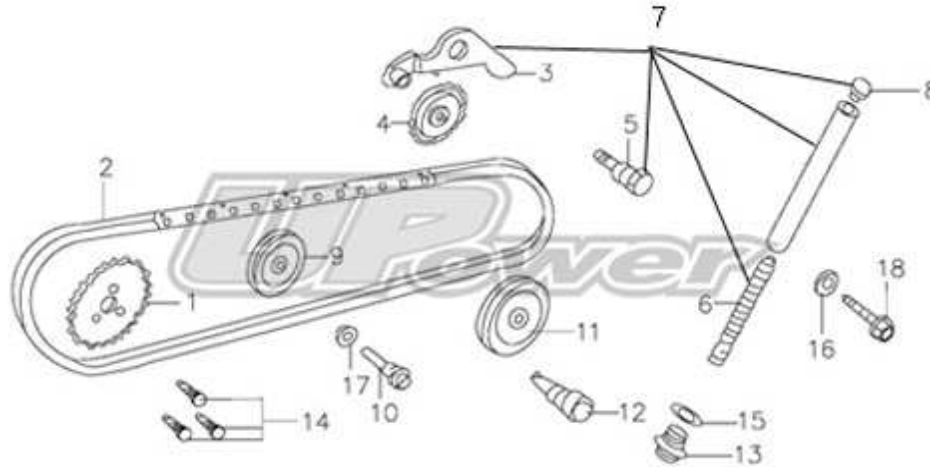
CAMSHAFT ASSY



**DO NOT
COPY**

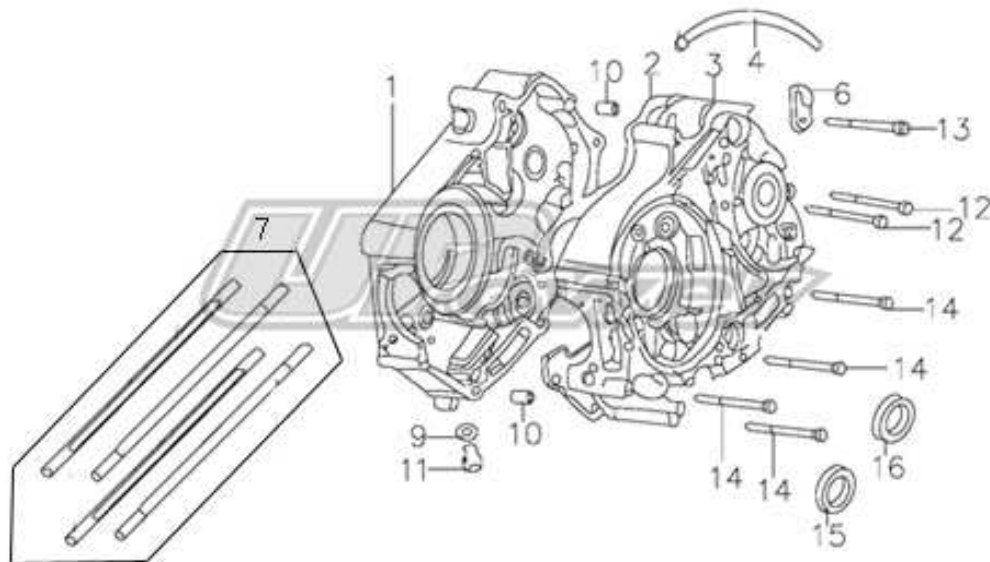
Ref.No.	UPower No.	Description	Qty	Remark
2	N/A	CAMSHAFT	1	
2	225	CAMSHAFT 125 UPOWER	1	
3	2306	INTAKE ROCKERARM SHAFT	1	
5	2306	EXHAUST ROCKERARM SHAFT	1	
6	2298	ROCKER ARM	2	provided with screw and nut
7	2311	VALVE ADJUSTING SCREW WITH NUT	2	
9	824	VALVE RETAINER SET	2	
11	823	SPRING VALVE SET	2	
14	202	INTAKE VALVE	1	
15	2643	EXHAUST VALVE	1	
16	302	VALVE STEM SEAL	2	

TIME CHAIN



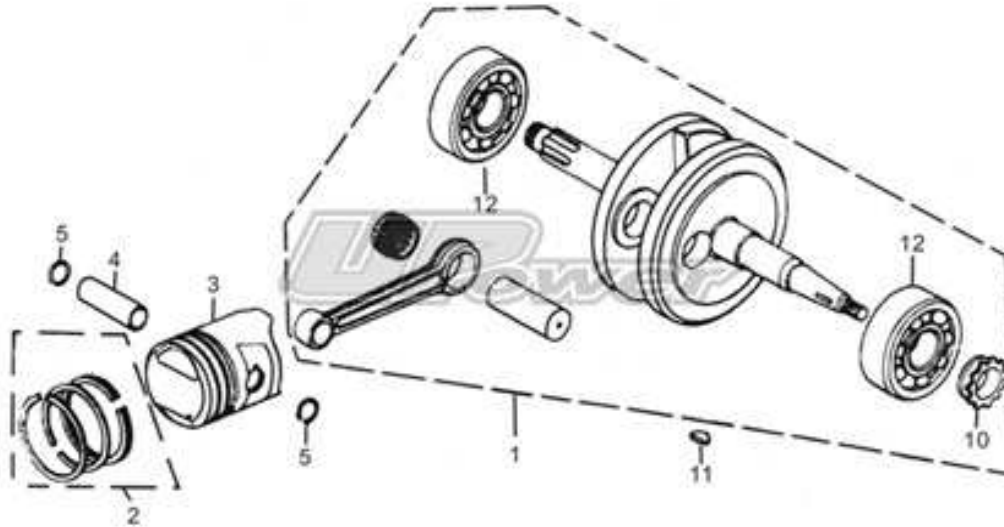
**DO NOT
COPY**

Ref.No.	UPower No.	Description	Qty	Remark
1	N/A	TIMING CAMSHAFT SPROCKET	1	
2	640	TIMING CAMSHAFT CHAIN	1	84 link
3	N/A	CHAIN TENSIONER ARM	1	
4	659	CHAIN TENSIONER ROLLER	1	
5	N/A	CHAIN TENSIONER ARM SCREW	1	
6	N/A	CHAIN TENSIONER SPRING SET	1	
7	3821	CHAIN TENSIONER STUD SUBASSEMBLY	1	
8	N/A	CHAIN TENSIONER STUD CAP	1	
9	2518	CYLINDER CAMSHAFT CHAIN ROLLER	1	
10	N/A	CYLINDER CAMSHAFT CHAIN ROLLER SCREW	1	
11	2843	LOWER CAMSHAFT CHAIN ROLLER	1	
12	N/A	LOWER CAMSHAFT CHAIN ROLLER SCREW	1	
13	N/A	TENSIONER BOLT	1	
14	2844	BOLT M5×12 SET	1	
15	430	ALUMINIUM WASHER 14	1	
16	N/A	WASHER 6	1	
17	N/A	ALUMINIUM WASHER 8	1	
18	N/A	BOLT M6 x 18	1	



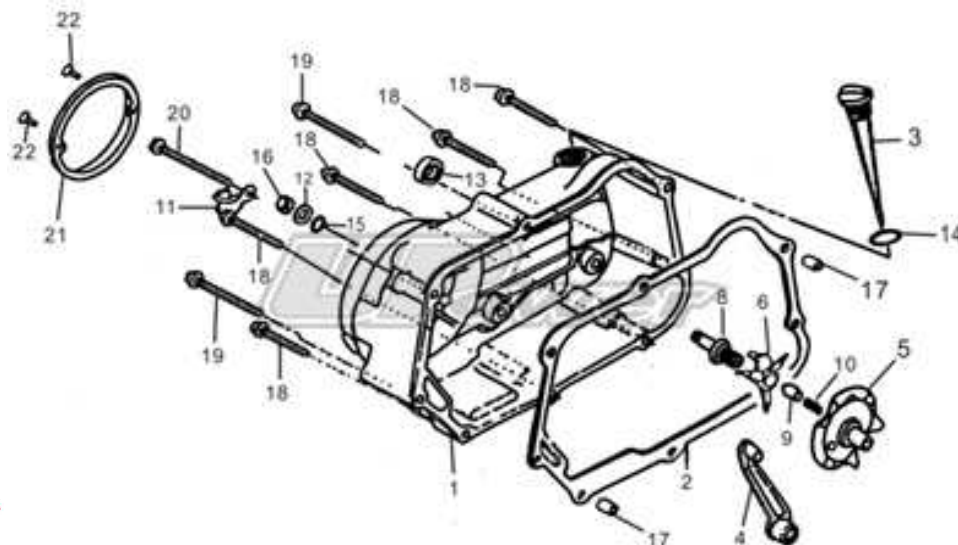
Ref.No.	UPower No.	Description	Qty	Remark
1	N/A	RIGHT CRANKCASE	1	for needle bearing since june 2010
2	3663	CRANKCASE GASKET	1	
3	N/A	LEFT CRANKCASE	1	
4	N/A	BREATHING TUBE	1	
5	N/A		1	
6	N/A		1	
7	N/A	CYLINDER STUD SET	1	
9	430	DRAIN WASHER	1	
10	3226	ASSEMBLING PIN 10x14	2	
11	2665	DRAIN BOLT ALLOY	1	
11	3665	DRAIN BOLT STEEL	1	
12	N/A	BOLT M6 x 60	2	
13	N/A	BOLT M6 x 50	1	
14	N/A	BOLT M6 x 65	4	
15	212	GEAR SHIFT SHAFT OIL SEAL 11,6x24x10	1	
16	233	COUNTERSHAFT OIL SEAL 17x29x5	1	

**DO NOT
COPY**



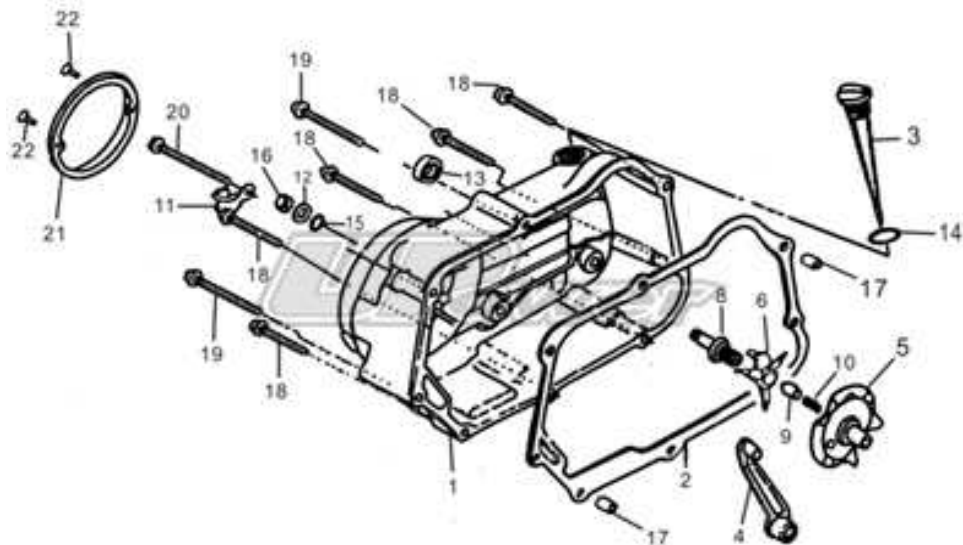
Ref.No.	UPower No.	Description	Qty	Remark
1	3287	CRANKSHAFT	1	
2	2066	PISTON RING SET	1	
3	2329	PISTON SET (piston+rings+pin+clips)	1	47mm
4	3309	PISTON PIN	1	13mm
5	222	PISTON PIN CLIP	2	
10	N/A	DRIVE SPROCKET TIMING 14T	1	
11	1539	SEMICIRCULAR KEY	1	
12	2961	BEARING 6304	2	

RIGHT CRANKCASE COVER



Ref.No.	UPower No.	Description	Qty	Remark
1	N/A	RIGHT CRANKCASE COVER	1	
2	2498	RIGHT CRANKCASE GASKET	1	
3	N/A	OIL JAUGE	2	
4	N/A	CLUTCH LEVER	5	
5	N/A	CLUTCH PLATE	1	
6	N/A	CLUTCH PUSH	2	
8	N/A	PUSH	1	
9	N/A	OIL TUBE	1	
10	N/A	SPRING	1	
11	N/A	HOSE PLATE FIXING	1	
12	N/A	WASHER 8mm	1	
13	213	KICK OIL SEAL 13,8x24x5	1	
14	N/A	O RING 18x3mm	1	
15	N/A	O RING 8mm	1	
16	N/A	NUT M8	1	
17	728	PIN 8 x 12	1	
18	N/A	BOLT M6 x 40	5	

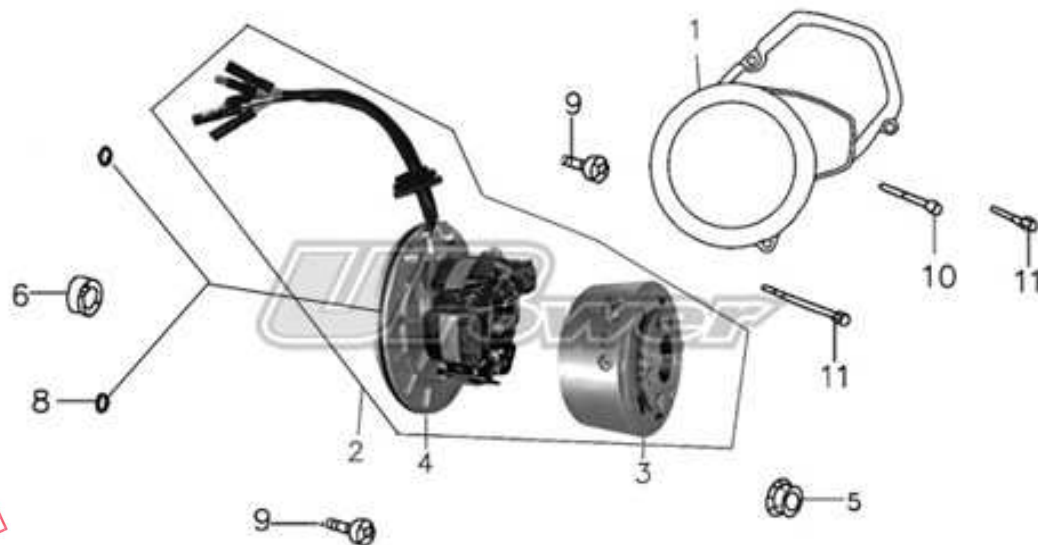
RIGHT CRANKCASE COVER



**DO NOT
COPY**

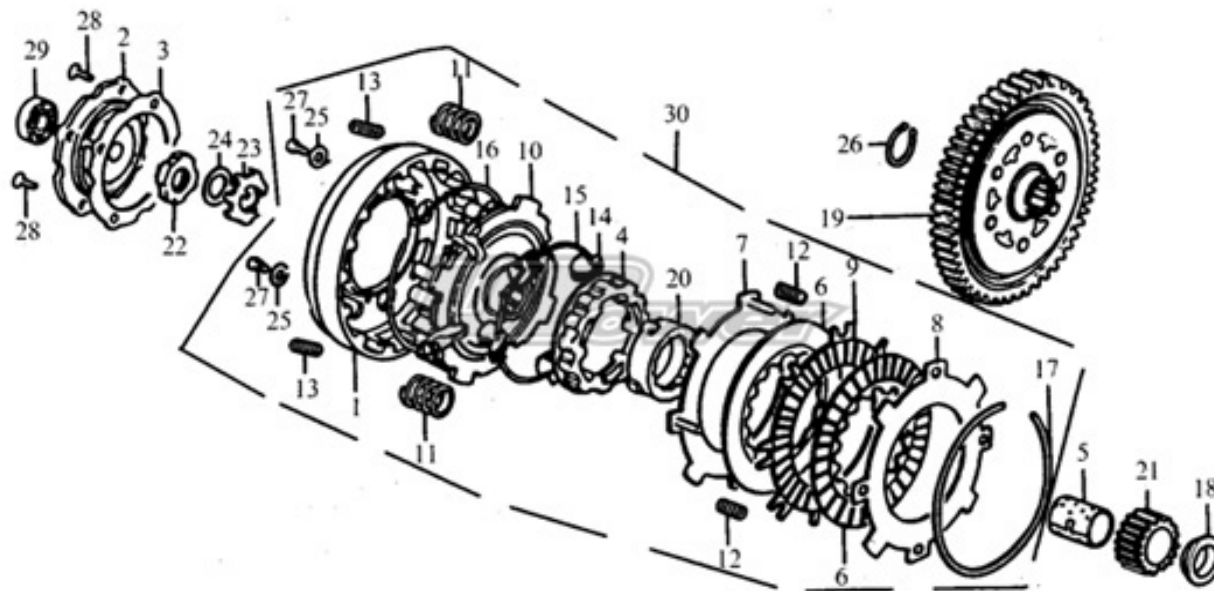
Ref.No.	UPower No.	Description	Qty	Remark
19	N/A	BOLT M6 x 65	2	
20	N/A	BOLT M6 x 80	1	
21	1671	CLUTCH COVER	1	
22	N/A	SCREW M5 x 12	2	

Left Crankcase Cover & Magneto



Ref.No.	UPower No.	Description	Qty	Remark
1	2829	LEFT COVER	1	
2	2506	MAGNETO ASSEMBLY WITH LIGHT OUTPUT	1	for MX use
2	2469	MAGNETO ASSEMBLY WITHOUT LIGHT OUTPUT	1	for road use
3	2714	FLYWHEEL	1	
4	2827	STATOR ASSEMBLY WITH LIGHT OUTPUT	1	for road use
4	2412	STATOR ASSEMBLY WITHOUT LIGHT OUTPUT	1	for MX use
5	2483	HEX FLYWHEEL NUT	1	
6	175	OIL SEAL 18,9x30x5	1	
8	176	O-RING STATOR SET	1	2x 6,5x1,8+ 1x106,8x2mm
9	481	BOLT M6 x 16	2	
10	N/A	BOLT M6 x 28	1	
11	N/A	BOLT M6 x 35	2	

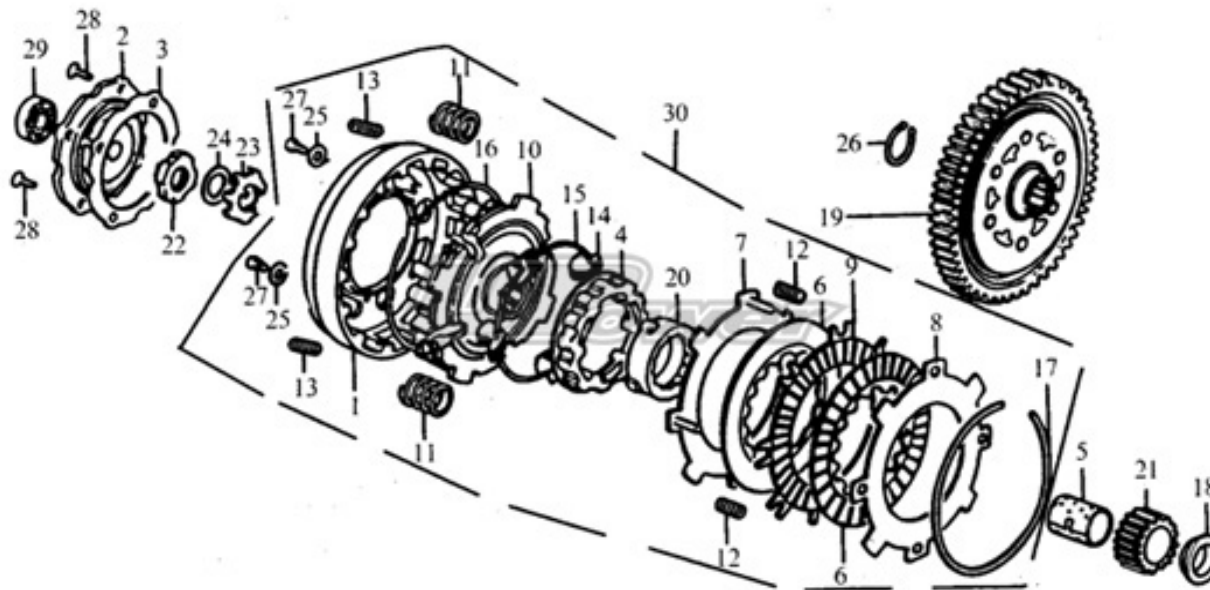
CLUTCH COMPONENT PART



**DO NOT
COPY**

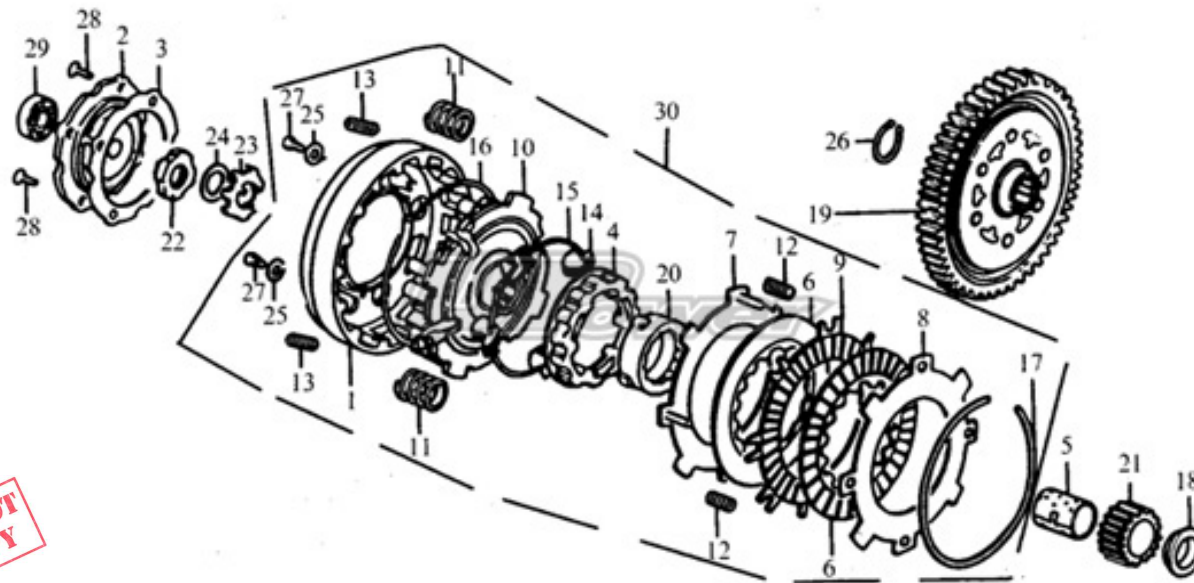
Ref.No.	UPower No.	Description	Qty	Remark
1	N/A	Cluth Hood	1	
2	N/A	End Cover	1	
3	N/A	Gasket	1	
4	N/A	Clutch element	1	
5	N/A	Bush	1	
6	N/A	Friction disk A (set of 3 = 3743)	2	
7	N/A	Drive Plate A	1	
8	N/A	Drive Plate B	1	
9	N/A	Drive Disk B	1	
10	N/A	Drive Plate	1	
11	N/A	Clutch Spring	4	
12	N/A	Spring 5×10	4	

CLUTCH COMPONENT PART

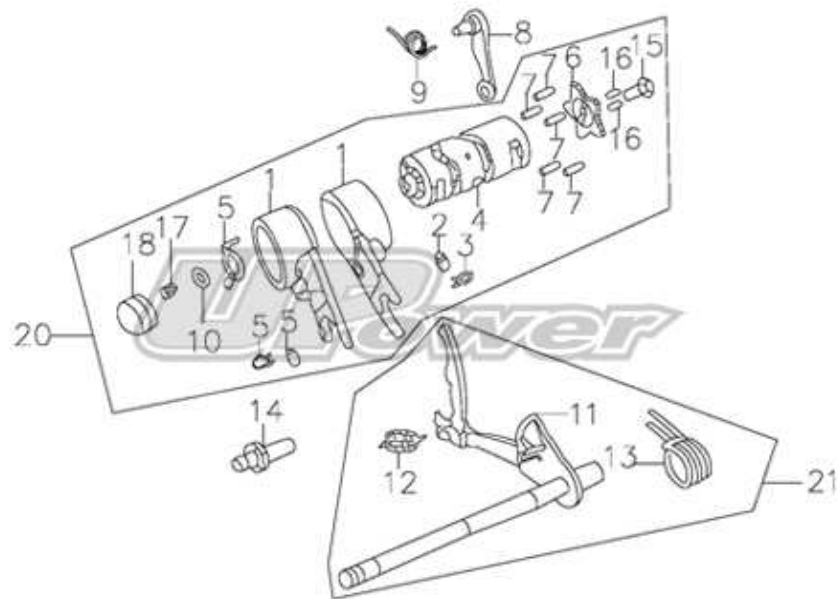


Ref.No.	UPower No.	Description	Qty	Remark
13	N/A	Damping Spring	4	
14	N/A	Clutch Blocks	28	
15	N/A	Spring	1	
16	N/A	Collar	1	
17	N/A	Spring Collar	1	
18	N/A	Washer	1	
19	2630	Primary Driver Gear(69Z)	1	
20	N/A	Sleeve,Drive Gear	1	
21	N/A	Primary Driver Gear(17Z)	1	
22	N/A	Lock Nut M14×1	1	
23	N/A	Lock Washer 14	1	
24	N/A	Washer 14	1	

CLUTCH COMPONENT PART

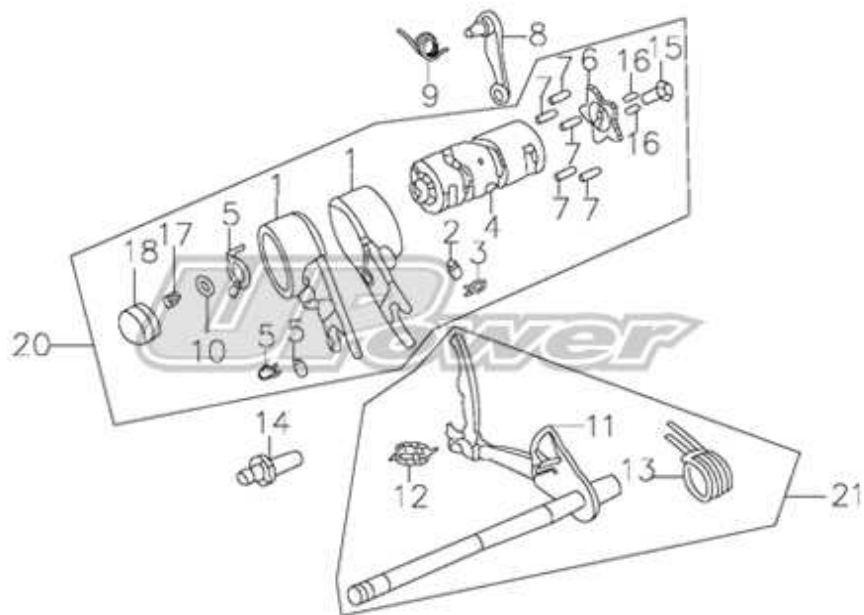


Ref.No.	UPower No.	Description	Qty	Remark
25	N/A	Washer 5	4	
26	N/A	Circllet	1	
27	N/A	Screw M5×10	4	
28	N/A	Screw M5×10	4	
29	2814	Roller Bearing 6000	1	
30	1788	Clutch Set	1	



**DO NOT
COPY**

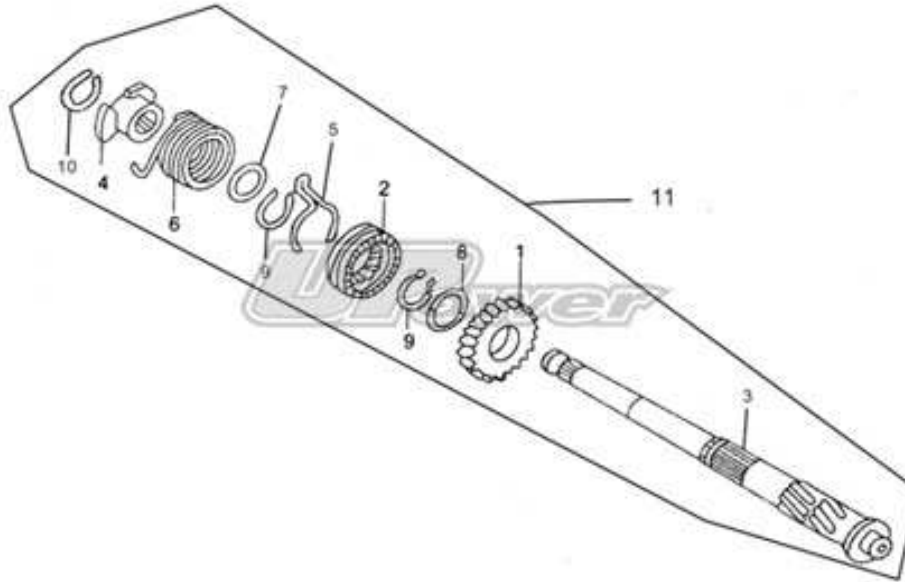
Ref.No.	UPower No.	Description	Qty	Remark
1	1469	GEAR SHIFT FORK	2	
2	N/A	GUIDE PIN	1	
3	N/A	SPRING CLIP	1	
4	N/A	SHIFTING DRUM	1	
5	N/A	NEUTRAL GEAR SWITCH CONTACT	1	
6	N/A	SPEED VARIATOR STRONGBACSTRONGBACK PIN	1	
7	N/A	STRONGBACK PIN BOLT	5	
8	N/A	SPEED VARIATOR STRONGBACK SUBASSEMBLY	1	
9	N/A	STRONGBACK SPRING	1	
10	N/A	WASHER	1	
11	N/A	GEAR SHIFT SHAFT SUBASSEMBLY	1	
12	N/A	SPRING	1	
13	N/A	RETURN SPRING	1	
14	N/A	ASSEMBLING SPING	1	
15	N/A	BOLT WITH SALVER	1	
16	N/A	ASSEMBLING PIN	2	



**DO NOT
COPY**

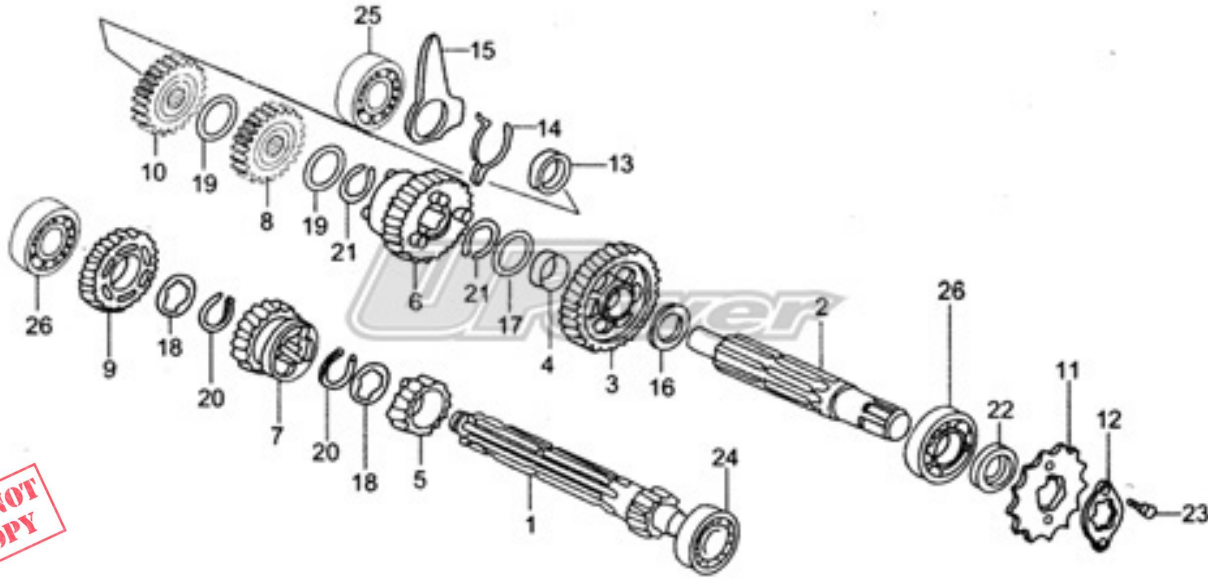
Ref.No.	UPower No.	Description	Qty	Remark
17	N/A	SWITCH PRESSBOARD	1	
18	2382	RUBBER CAP	1	
20	2375	SHIFTING YOKE VARIATOR	1	
21	911	SHIFTING SUBASSEMBLY 145mm	1	
21	1301	SHIFTING SUBASSEMBLY 150mm	1	
21	1717	SHIFTING SUBASSEMBLY 157mm	1	

START SHAFT ASSY



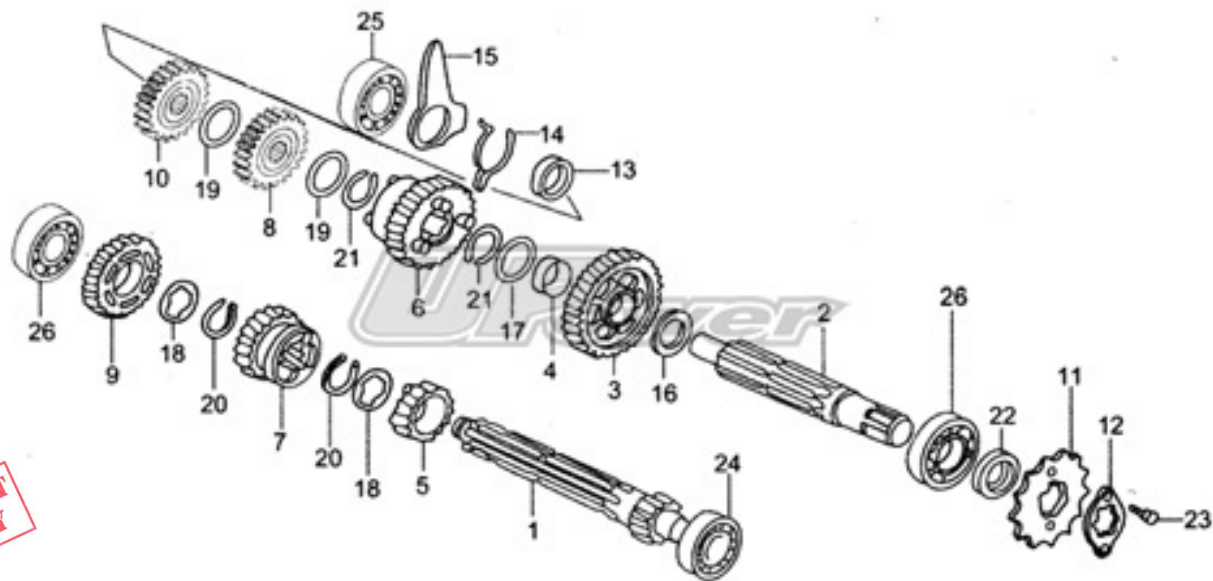
Ref.No.	UPower No.	Description	Qty	Remark
1	N/A	GEAR KICK STARTER	1	
2	N/A	STARTER DRIVE RATCHET	1	
3	N/A	KICK STARTER SPINDLE	1	
4	N/A	KICK SPRING RETAINER	1	
5	N/A	STARTER GEAR FRICTION SPRING	1	
6	N/A	KICK STARTER SPRING	1	
7	N/A	WASHER 17MM	1	
8	N/A	THRUST WASHER 20MM	1	
9	N/A	SER RING 20MM	2	
10	N/A	EXTERNAL CIRCLIP 16MM	1	
11	3069	Starting Shaft Assy	1	

GEAR BOX ASSEMBLY



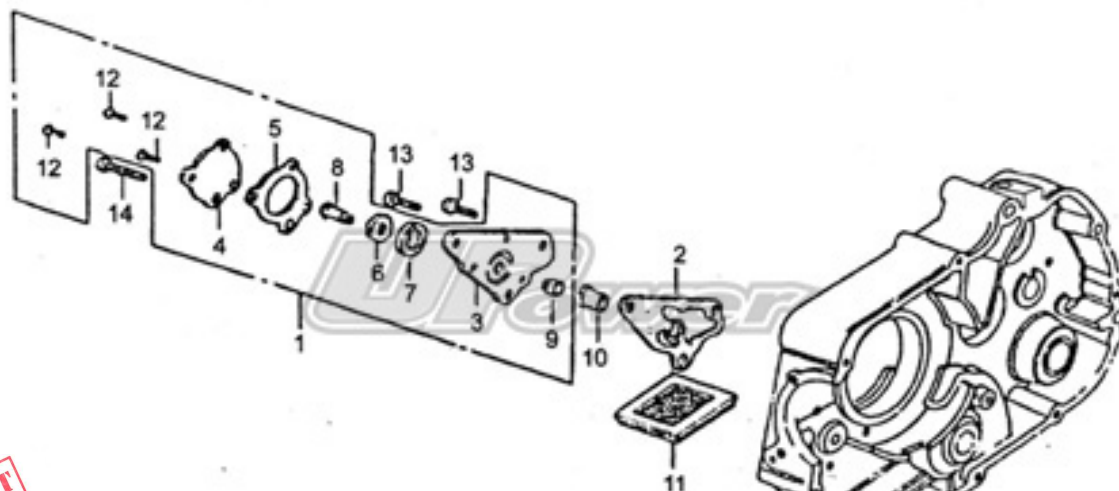
Ref.No.	UPower No.	Description	Qty	Remark
1	N/A	MAIN SHAFT	1	
2	N/A	COUNTER SHAFT	1	
3	N/A	C-1 GEAR	1	
4	N/A	BUSH 20×9	1	
5	N/A	M-2 GEAR	1	
6	N/A	C-2 GEAR	1	
7	N/A	M-3 GEAR	1	
8	N/A	C-3 GEAR	1	
9	N/A	M-4 GEAR	1	
10	N/A	C-4 GEAR	1	
11	472	DRIVE SPROCKET 14T 420	1	
12	197	DRIVE SPROCKET FIXING PLATE	1	
13	N/A	COLLAR	1	

GEAR BOX ASSEMBLY



Ref.No.	UPower No.	Description	Qty	Remark
14	N/A	SPRING	1	
15	N/A	GEARSHIFT DRUM LOCK PLATE	1	
16	N/A	THRUST WASHER 17MM	1	
17	N/A	SPLINE WASHER	1	
18	N/A	SPLINE WASHER 17MM	2	
19	N/A	SPLINE WASHER 20MM	2	
20	N/A	EXTERNAL CIRCLIP 17MM	2	
21	N/A	CIRCLIP 20MM	2	
22	233	OIL SEAL 17×29×5	1	
23	2845	HEX BOLT 6×8	2	
24	3081	BEARING, RADIAL, 6001	1	
25	619	BEARING, RADIAL, 6201	1	
26	3764	BEARING, RADIAL, 6203	2	

OIL PUMP ASSY



DO NOT
COPY

Ref.No.	UPower No.	Description	Qty	Remark
1	N/A	Oil Pump Assy	1	
2	N/A	Gasket, Oil Pump	1	
3	N/A	Body, Oil Pump	1	
4	N/A	Cover, Oil Pump	1	
5	N/A	Gasket, Oil Pump Cover	1	
6	N/A	Inner Rotor	1	
7	N/A	Outer Rotor	1	
8	N/A	Shaft, Oil Pump	1	
9	N/A	Sleeve	1	
10	N/A	Bush, Sprocket Shaft	1	
11	N/A	Gauze Set	1	
12	N/A	Screw M5×10	3	
13	N/A	Screw M6×16	2	
14	N/A	Screw M6×22	1	