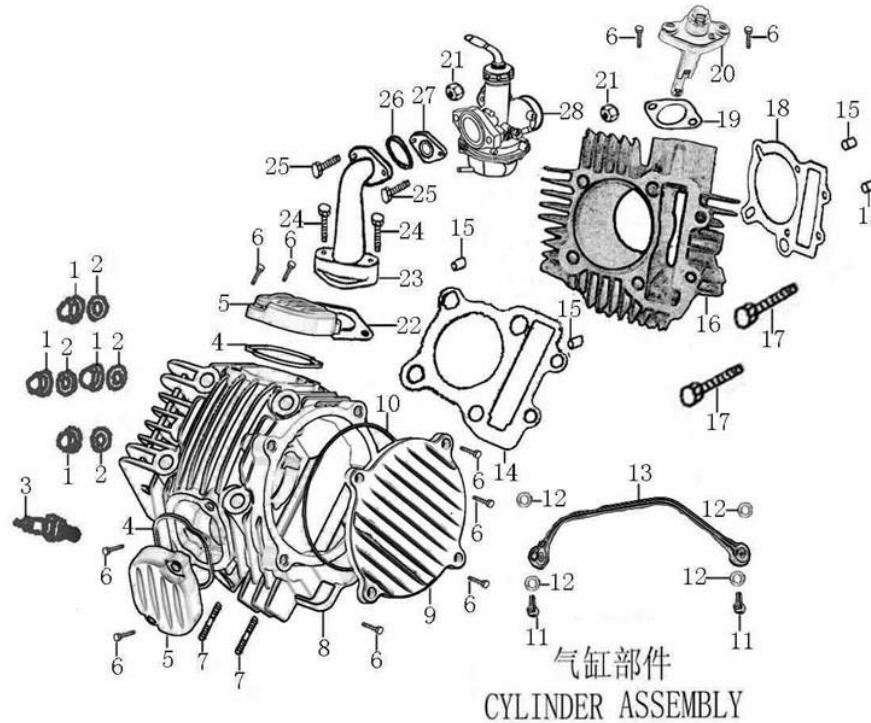


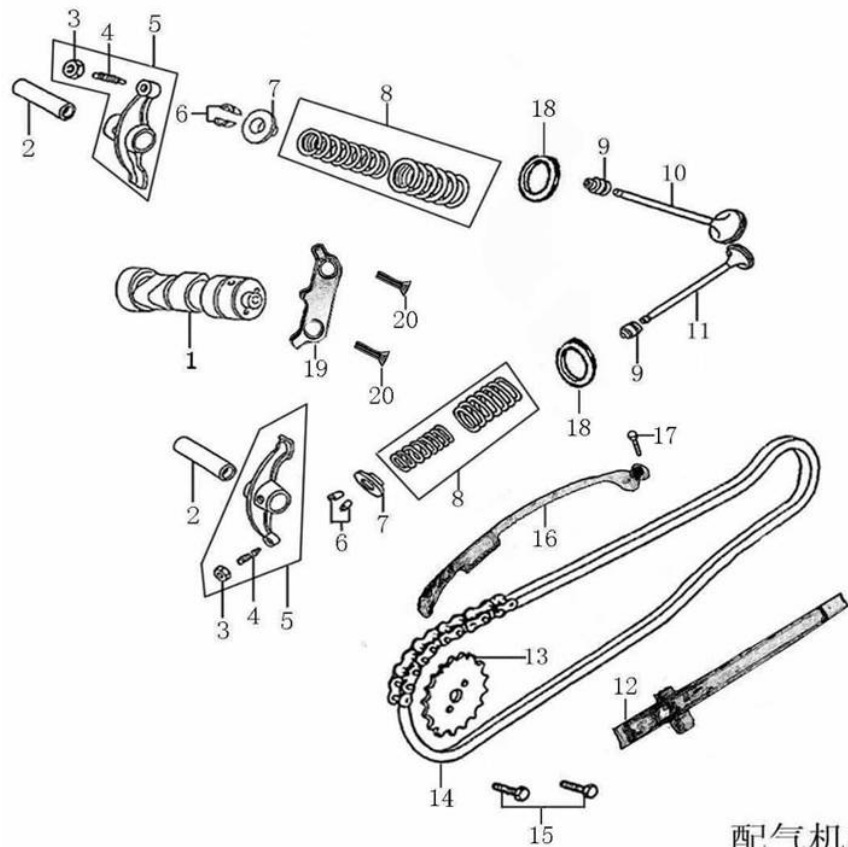
ZS160 HO CYLINDER ASSY

| #  | PART NO           | DESCRIPTION                    | QTY. |
|----|-------------------|--------------------------------|------|
| 1  | 91201-1006-00000X | NUT M8                         | 4    |
| 2  | 93301-80852018000 | WASHER 8.5×2.2×18              | 4    |
| 3  | 81300-G011-0000   | SPARK PLUG (A7TC)              | 1    |
| 4  | 90104-JE15-0000   | LIFTER ASSY                    | 2    |
| 5  | 11230-JE15-00000W | CYLINDER HEAD COMP             | 2    |
| 6  | B166740A06001870X | BOLT M6×18                     | 10   |
| 7  | 91138-MA21-00000X | STUD M8×45                     | 2    |
| 8  | 1122B-JE15-00000W | CYLINDER HEAD ASSEMBLY         | 1    |
| 9  | 11227-JE15-00000W | L.COVER                        | 1    |
| 10 | 90122-JE15-0000   | GASKET · L.COVER               | 1    |
| 11 | 91107-PE03-00000X | BOLT M8×23                     | 2    |
| 12 | 93301-80821014000 | WASHER 8.2×1×14                | 4    |
| 13 | 19305-JE15-0000   | VITTA                          | 1    |
| 14 | 9022B-JE15-0000   | GASKET ASSEMBLY, CYLINDER HEAD | 1    |
| 15 | 91521-10001400000 | PIN 10×14                      | 4    |
| 16 | 1110B-JE15-000182 | ASSEMBLY, CYLINDER BLOCK       | 1    |
| 17 | B166740A06010570X | BOLT M6×105                    | 2    |
| 18 | 90205-JE15-0000   | GASKET,CYLINDER BLOCK          | 1    |
| 19 | 90211-JE15-0000   | INLET PIPE (JQ-9L)             | 1    |
| 20 | 1554B-JE15-0000   | GASKET, INLET PIPE             | 1    |
| 21 | B061700006000090X | NUT M6                         | 2    |
| 22 | 15810-1096-0000   | GASKET, INLET PIPE             | 1    |
| 23 | 15800-JE15-0100   | ASSEMBLY, INLET PIPE(JQ-9L)    | 1    |
| 24 | B057830006002570X | BOLT M6×25                     | 2    |
| 25 | B057830006003070X | BOLT M6×30                     | 2    |
| 26 | 90101-10290000240 | O-RING 29×2.4                  | 1    |
| 27 | 90214-1096-0000   | GASKET, CARBURETOR             | 1    |
| 28 | 17100-0000-0078   | CARBURETOR                     | 1    |
| 29 |                   |                                |      |
| 30 |                   |                                |      |
| 31 |                   |                                |      |
| 32 |                   |                                |      |
| 33 |                   |                                |      |
| 34 |                   |                                |      |
| 35 |                   |                                |      |
| 36 |                   |                                |      |
| 37 |                   |                                |      |
| 38 |                   |                                |      |
| 39 |                   |                                |      |
| 40 |                   |                                |      |
| 41 |                   |                                |      |
| 42 |                   |                                |      |
| 43 |                   |                                |      |
| 44 |                   |                                |      |
| 45 |                   |                                |      |



ZS160 HO VALVE MECHANISM

| #  | PART NO           | DESCRIPTION                      | QTY. |
|----|-------------------|----------------------------------|------|
| 1  | 15100-JE15-0000   | CAMSHAFT PARTS                   | 1    |
| 2  | 15402-D002-0000   | SHAFT, VALVE ROCKER ARM          | 2    |
| 3  | 15403-D002-0000   | ADJUSTING NUT, VALVE CLEARANCE   | 2    |
| 4  | 15404-D002-0000   | ADJUSTING SCREW, VALVE CLEARANCE | 2    |
| 5  | 1540A-D002-0000   | ASSEMBLY, VALVE ROCKER ARM       | 2    |
| 6  | 15707-JE15-0000   | VALVE COTTER                     | 4    |
| 7  | 15705-JE15-0000   | RETAINER, VALVE SPRING           | 2    |
| 8  | 15710-JE15-0000   | VALVE INNER SPRING               | 2    |
| 9  | 1572B-1008-0000   | VALVE STEM SEAL ASSEMBLY         | 2    |
| 10 | 15701-JE15-0000   | INLET VALVE                      | 1    |
| 11 | 15702-JE15-0000   | EXHAUST VALVE                    | 1    |
| 12 | 1553A-JE15-0000   | GUIDE PLATE CHAIN                | 1    |
| 13 | 15301-JE15-0000   | TIMING DRIVEN SPROCKET (32)      | 1    |
| 14 | 1532B-JE15-0000   | ASSEMBLY, TIMING CHAIN (90)      | 1    |
| 15 | B057830006001270X | BOLT M6×12                       | 2    |
| 16 | 1552A-JE15-0000   | WASHER 8.5×1.5×14 (ALUMINIUM)    | 1    |
| 17 | 91109-JE15-00000N | PIN SHAFT, GUIDE ROLLER(M8×27.5) | 1    |
| 18 | 15706-D002-0000   | RETAINER, VALVE SPRING           | 2    |
| 19 | 15108-JE15-0000   | BAFFLE                           | 1    |
| 20 | B008190106001220B | BLOT M6×12                       | 2    |
| 21 |                   |                                  |      |
| 22 |                   |                                  |      |
| 23 |                   |                                  |      |
| 24 |                   |                                  |      |
| 25 |                   |                                  |      |
| 26 |                   |                                  |      |
| 27 |                   |                                  |      |
| 28 |                   |                                  |      |
| 29 |                   |                                  |      |
| 30 |                   |                                  |      |
| 31 |                   |                                  |      |
| 32 |                   |                                  |      |
| 33 |                   |                                  |      |
| 34 |                   |                                  |      |
| 35 |                   |                                  |      |
| 36 |                   |                                  |      |
| 37 |                   |                                  |      |
| 38 |                   |                                  |      |
| 39 |                   |                                  |      |
| 40 |                   |                                  |      |
| 41 |                   |                                  |      |
| 42 |                   |                                  |      |
| 43 |                   |                                  |      |
| 44 |                   |                                  |      |
| 45 |                   |                                  |      |

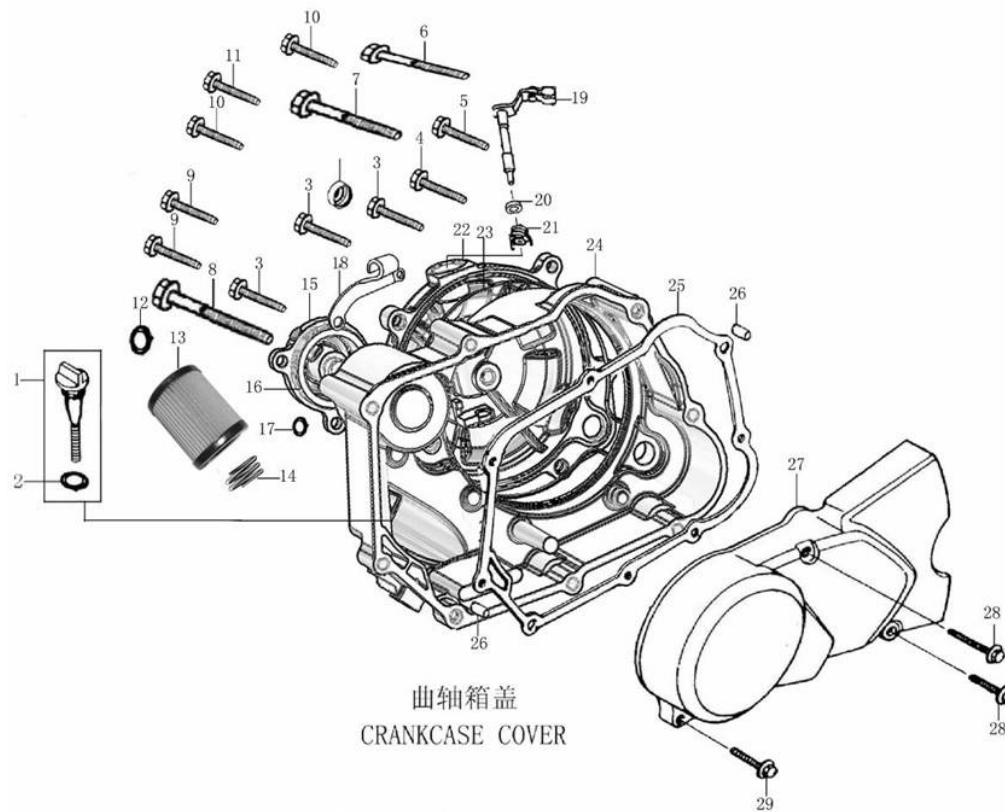


配气机构  
VALVE MECHANISM

ZS160 HO CRANKCASE COVER

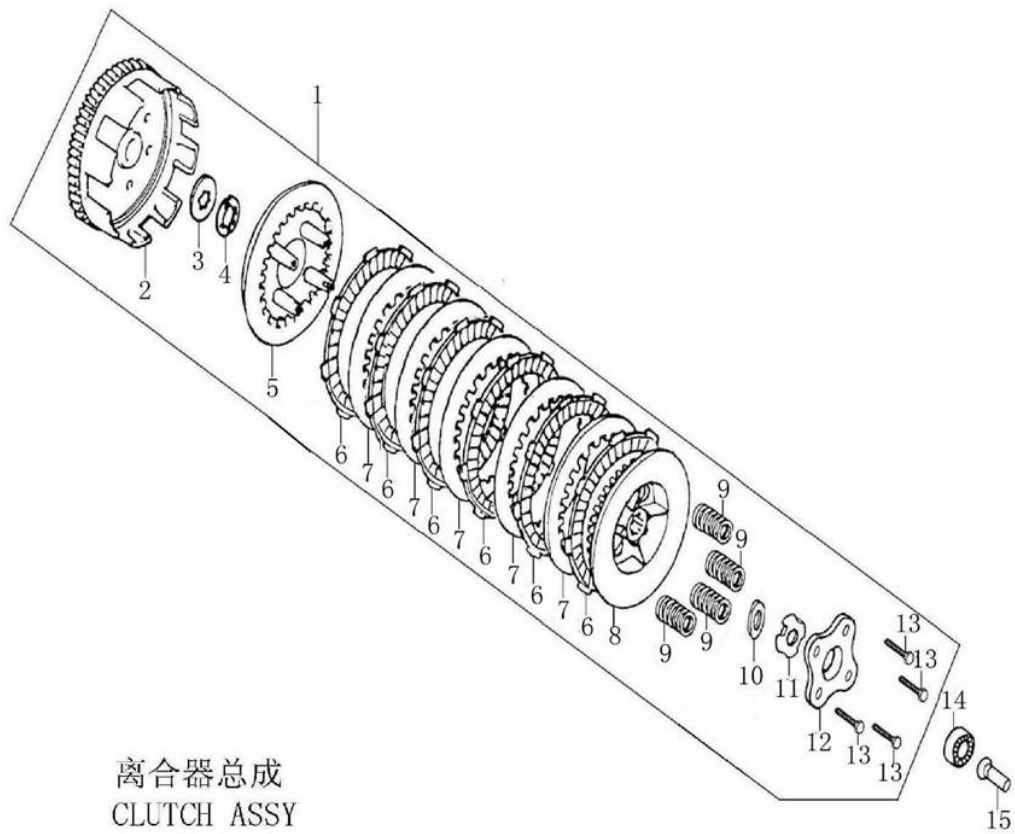
| # | PART NO           | DESCRIPTION | QTY. |
|---|-------------------|-------------|------|
| 1 | 14301-G011-0000   | DIPSTICK    | 1    |
| 2 | 90101-10180000300 | O-RING 18×3 | 1    |

|    |                    |                                  |   |
|----|--------------------|----------------------------------|---|
| 3  | B166740A06004070X  | BOLT M6×40                       | 3 |
| 4  | B166740A06004570X  | BOLT M6×45                       | 1 |
| 5  | B166740A06006570X  | BOLT M6×65                       | 1 |
| 6  | B166740A06009070X  | BOLT M6×90                       | 1 |
| 7  | B166740A06009570X  | BOLT M6×95                       | 1 |
| 8  | B166740A060012570X | BOLT M6×125                      | 1 |
| 9  | B166740A06001670X  | BOLT M6×16                       | 2 |
| 10 | B166740A06003270X  | BOLT M6×32                       | 2 |
| 11 | B166740A06002070X  | BOLT M6×20                       | 1 |
| 12 | 90101-20050000180  | O-RING 5×1.8                     | 1 |
| 13 | 14210-I038-0000    | OIL FILTER                       | 1 |
| 14 | 12403-I038-0000    | SPRING, OIL FINE FILTER          | 1 |
| 15 | 12402-JZ28-00000W  | CAP, OIL FILTER                  | 1 |
| 16 | 90101-10440000250  | O-RING 44×2.5                    | 1 |
| 17 | 90101-10065000180  | O-RING 6.5×1.8                   | 1 |
| 18 | 22422-JA16-00000X  | STEEL BRACKET, CLUTCH            | 1 |
| 19 | 12421-JE15-000089  | ASSEMBLY, RIGHT CRANKCASE COVER  | 1 |
| 20 | 22427-I016-0000    | SPRING, CONTROLLING ARM, CLUTCH  | 1 |
| 21 | 90306-I016-0000    | OIL SEAL 12×18×5                 | 1 |
| 22 | 12425-JZ28-00000W  | DECORATE COVER,R.CRANKCASE COVER | 1 |
| 23 | 90105-JZ28-0000    | RING                             | 1 |
| 24 | 1222B-JE15-00000W  | RIGHT CRANKCASE BLOCK            | 1 |
| 25 | 90206-JE15-0000    | GASKET · R.CRANKCASE COVER       | 1 |
| 26 | 91521-08001200063  | DOWEL PIN 8×12×6.3               | 2 |
| 27 | 12306-G007-000089  | SIDE COVER, LEFT CRANKCASE       | 1 |
| 28 | B166740A06003570X  | BOLT M6×35                       | 2 |
| 29 | B166740A06002870X  | BOLT M6×28                       | 1 |
| 30 |                    |                                  |   |
| 31 |                    |                                  |   |
| 32 |                    |                                  |   |
| 33 |                    |                                  |   |
| 34 |                    |                                  |   |
| 35 |                    |                                  |   |
| 36 |                    |                                  |   |
| 37 |                    |                                  |   |
| 38 |                    |                                  |   |
| 39 |                    |                                  |   |
| 40 |                    |                                  |   |
| 41 |                    |                                  |   |
| 42 |                    |                                  |   |
| 43 |                    |                                  |   |
| 44 |                    |                                  |   |
| 45 |                    |                                  |   |



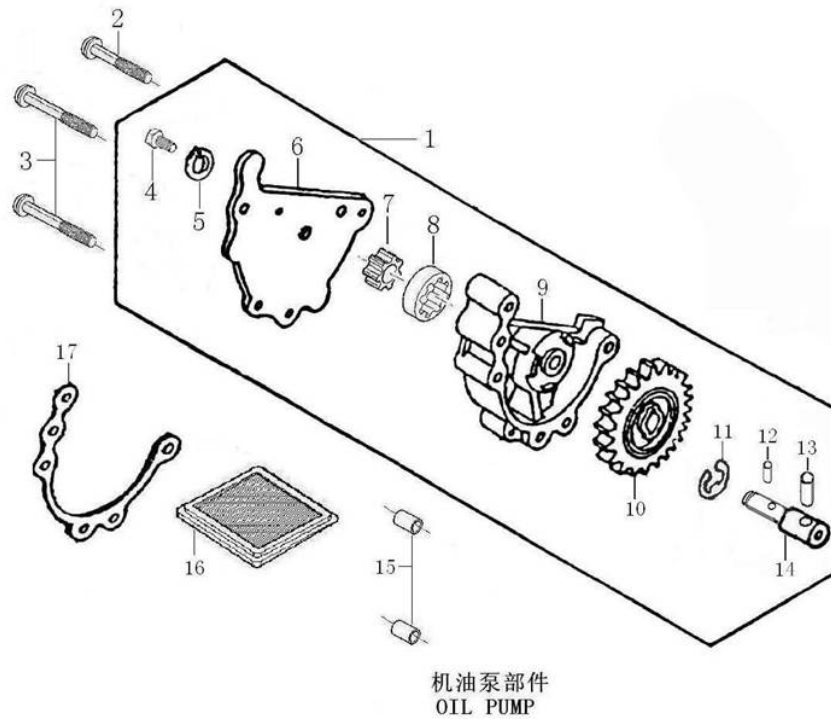
| ZS160 HO CLUTCH ASSY |                 |                                 |      |
|----------------------|-----------------|---------------------------------|------|
| #                    | PART NO         | DESCRIPTION                     | QTY. |
| 1                    | 22000-JZ28-0000 | CLUTCH ASSEMBLY                 | 1    |
| 2                    | 22150-IZ27-0000 | OUT CASE ASSEMBLY, CLUTCH       | 1    |
| 3                    | 22002-G011-0000 | SPRINE WASHER, CLUTCH (φ28×2.6) | 1    |
| 4                    | 22103-G011-0000 | FIXING RING CLUTCH              | 1    |

|    |                   |                               |   |
|----|-------------------|-------------------------------|---|
| 5  | 22122-JA16-0000   | PRESSURE PLATE, CLUTCH        | 1 |
| 6  | 22214-I006-0000   | FRICION PLATE, DRIVE, CLUTCH  | 6 |
| 7  | 22215-JA16-0000   | FRICION PLATE, DRIVEN, CLUTCH | 5 |
| 8  | 22105-JA16-0000   | CENTER SLEEVE, CLUTCH         | 1 |
| 9  | 22142-JE15-0000   | SPRING, CLUTCH                | 4 |
| 10 | 22004-G011-0000   | THRUST WASHER                 | 1 |
| 11 | 91202-G011-0000   | NUT M14×1                     | 1 |
| 12 | 22121-G011-0000   | END COVER, CLUTCH             | 1 |
| 13 | B057890006002270B | BOLT M6×22                    | 4 |
| 14 | 92102-00000006000 | BEARING (6000)                | 1 |
| 15 | 22403-G007-0000   | PUSH ROD, CLUTCH              | 1 |
| 16 |                   |                               |   |
| 17 |                   |                               |   |
| 18 |                   |                               |   |
| 19 |                   |                               |   |
| 20 |                   |                               |   |
| 21 |                   |                               |   |
| 22 |                   |                               |   |
| 23 |                   |                               |   |
| 24 |                   |                               |   |
| 25 |                   |                               |   |
| 26 |                   |                               |   |
| 27 |                   |                               |   |
| 28 |                   |                               |   |
| 29 |                   |                               |   |
| 30 |                   |                               |   |
| 31 |                   |                               |   |
| 32 |                   |                               |   |
| 33 |                   |                               |   |
| 34 |                   |                               |   |
| 35 |                   |                               |   |
| 36 |                   |                               |   |
| 37 |                   |                               |   |
| 38 |                   |                               |   |
| 39 |                   |                               |   |
| 40 |                   |                               |   |
| 41 |                   |                               |   |
| 42 |                   |                               |   |
| 43 |                   |                               |   |
| 44 |                   |                               |   |
| 45 |                   |                               |   |



| ZS160 HO OIL PUMP PARTS |                   |             |      |
|-------------------------|-------------------|-------------|------|
| #                       | PART NO           | DESCRIPTION | QTY. |
| 1                       | 14100-JE15-0000   | OIL PUMP    | 1    |
| 2                       | B008230006003520B | SCREW M6×35 | 1    |

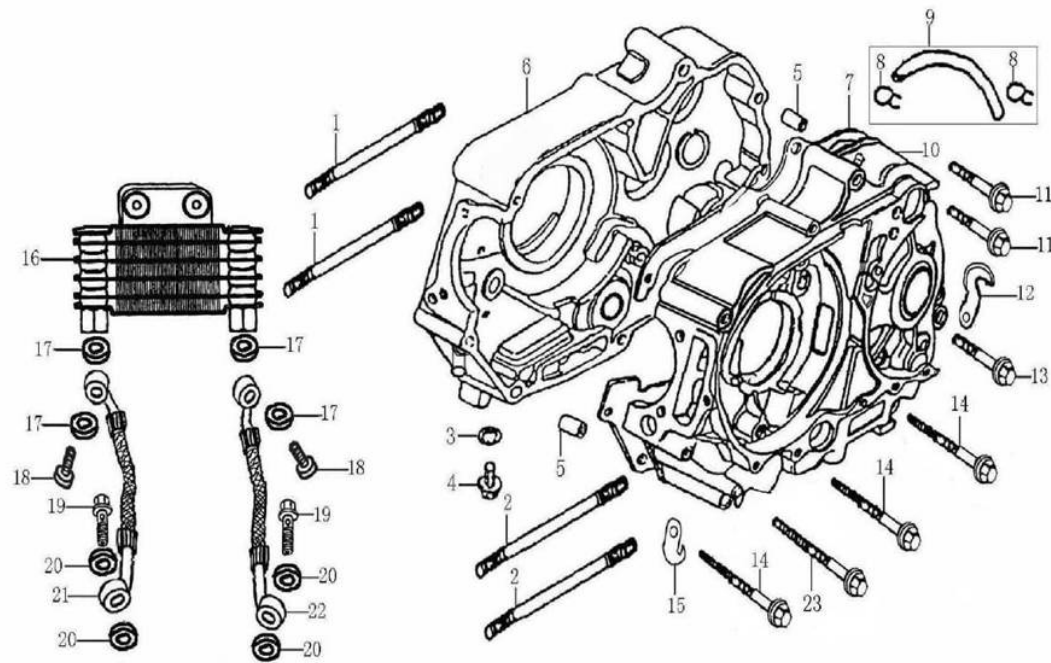
|    |                   |                             |   |
|----|-------------------|-----------------------------|---|
| 3  | B008230006004020B | SCREW M6×40                 | 2 |
| 4  | B057820005001270B | BOLT M5×12                  | 1 |
| 5  | B0009300050000000 | WASHER 5                    | 1 |
| 6  | I4108-JE15-0000   | COVER, OIL PUMP             | 1 |
| 7  | I4111-JE15-0000   | INNER ROTOR, OIL PUMP       | 1 |
| 8  | I4112-JE15-0000   | OUTER ROTOR, OIL PUMP       | 1 |
| 9  | I4110-JE15-0000   | CASE, OIL PUMP              | 1 |
| 10 | I410B-JE15-0000   | GEAR, OIL PUMP              | 1 |
| 11 | B0089600060000000 | WASHER 6                    | 1 |
| 12 | B0011902025100000 | PIN 2.5×10                  | 1 |
| 13 | 91522-03001600000 | PIN3.0×16                   | 1 |
| 14 | I4107-JE15-0000   | SHAFT, OIL PUMP             | 1 |
| 15 | 91521-08001200063 | DOWEL PIN 8×12×6.3          | 2 |
| 16 | I431B-D002-0000   | ASSEMBLY, OIL FILTER SCREEN | 1 |
| 17 | 90210-HZ31-0000   | GASKET, OIL PUMP            | 1 |
| 18 |                   |                             |   |
| 19 |                   |                             |   |
| 20 |                   |                             |   |
| 21 |                   |                             |   |
| 22 |                   |                             |   |
| 23 |                   |                             |   |
| 24 |                   |                             |   |
| 25 |                   |                             |   |
| 26 |                   |                             |   |
| 27 |                   |                             |   |
| 28 |                   |                             |   |
| 29 |                   |                             |   |
| 30 |                   |                             |   |
| 31 |                   |                             |   |
| 32 |                   |                             |   |
| 33 |                   |                             |   |
| 34 |                   |                             |   |
| 35 |                   |                             |   |
| 36 |                   |                             |   |
| 37 |                   |                             |   |
| 38 |                   |                             |   |
| 39 |                   |                             |   |
| 40 |                   |                             |   |
| 41 |                   |                             |   |
| 42 |                   |                             |   |
| 43 |                   |                             |   |
| 44 |                   |                             |   |
| 45 |                   |                             |   |



| ZS160 HO CRANKCASE |                   |                                |      |
|--------------------|-------------------|--------------------------------|------|
| #                  | PART NO           | DESCRIPTION                    | QTY. |
| 1                  | 91102-JE15-0000   | CYLINDER STUD BOLT B           | 2    |
| 2                  | 91101-JE15-0000   | CYLINDER STUD BOLT A           | 2    |
| 3                  | 93301-71242020000 | WASHER 12.5×1.5×20 (ALUMINIUM) | 1    |



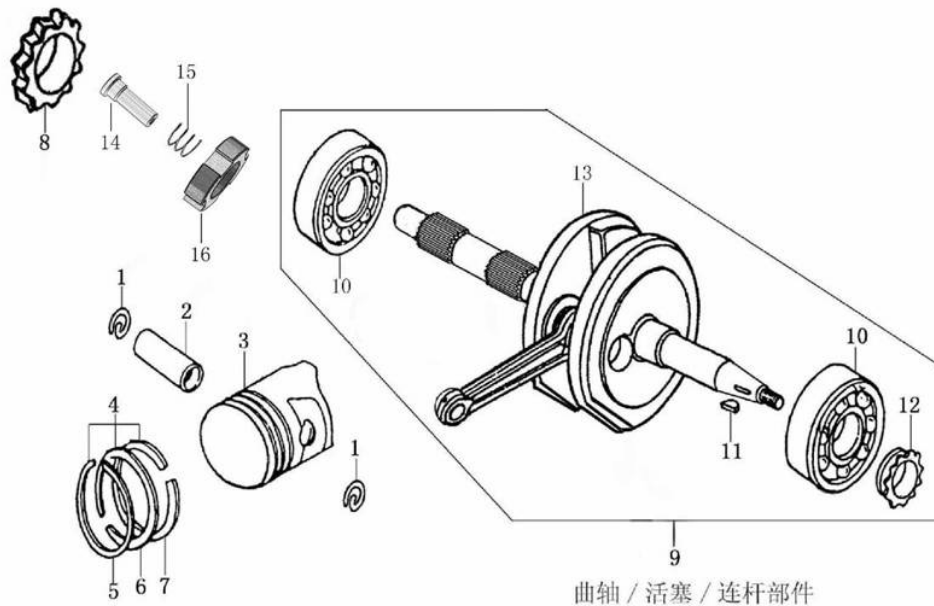
|    |                   |                           |   |
|----|-------------------|---------------------------|---|
| 4  | 91103-1008-0000X  | OIL DRAIN PLUG            | 1 |
| 5  | 91521-10001400000 | DOWEL PIN 10×14           | 2 |
| 6  | 1222B-JE15-000089 | ASSEMBLY, RIGHT CRANKCASE | 1 |
| 7  | 90208-JE15-0000   | GASKET, CRANKCASE         | 1 |
| 8  | 91405-D002-00000C | CLIP, BREATHER TUBE       | 2 |
| 9  | 12130-G011-0102   | BREATHER PIPE (1#)        | 1 |
| 10 | 1212B-JE15-000089 | ASSEMBLY, LEFT CRANKCASE  | 1 |
| 11 | B166740A06006070X | BOLT M6×60                | 2 |
| 12 | 11003-D002-00000X | CLIP, HIGH VOLTAGE WIRE   | 1 |
| 13 | B166740A06005070X | BOLT M6×50                | 1 |
| 14 | B166740A06006570X | BOLT M6×65                | 3 |
| 15 | 12108-D002-00000X | CLIP, OVERFLOW PIPE       | 1 |
| 16 | 19300-1038-0000   | OIL COOLER COMP           | 1 |
| 17 | 93301-81251419000 | WASHER 12.5×1.4×19        | 4 |
| 18 | 91107-1038-00010X | BLOT M12×1.25             | 2 |
| 19 | 91107-PE03-00000X | BLOT M8×23                | 2 |
| 20 | 93301-80821014000 | WASHER 10×1×14            | 4 |
| 21 | 19303-JE15-0100   | RETURN OF VITTA           | 1 |
| 22 | 19303-JE15-0200   | ENTER OF VITTA            | 1 |
| 23 | B166740A06008070X | BOLT M6×80                | 1 |
| 24 |                   |                           |   |
| 25 |                   |                           |   |
| 26 |                   |                           |   |
| 27 |                   |                           |   |
| 28 |                   |                           |   |
| 29 |                   |                           |   |
| 30 |                   |                           |   |
| 31 |                   |                           |   |
| 32 |                   |                           |   |
| 33 |                   |                           |   |
| 34 |                   |                           |   |
| 35 |                   |                           |   |
| 36 |                   |                           |   |
| 37 |                   |                           |   |
| 38 |                   |                           |   |
| 39 |                   |                           |   |
| 40 |                   |                           |   |
| 41 |                   |                           |   |
| 42 |                   |                           |   |
| 43 |                   |                           |   |
| 44 |                   |                           |   |
| 45 |                   |                           |   |



曲轴箱  
CRANKCASE

| ZS160 HO CRANKSHAFT/PISTON/CONNECTING ROD COMP |                 |                       |      |
|--|-----------------|-----------------------|------|
| #  | PART NO         | DESCRIPTION           | QTY. |
| 1  | 91401-D002-0000 | CIRCLIP, PISTON PIN   | 2    |
| 2  | 13102-JE15-0000 | PIN, PISTON           | 1    |
| 3  | 13101-JE15-0000 | PISTON                | 1    |
| 4  | 1310A-JE15-0000 | ASSEMBLY, PISTON RING | 1    |

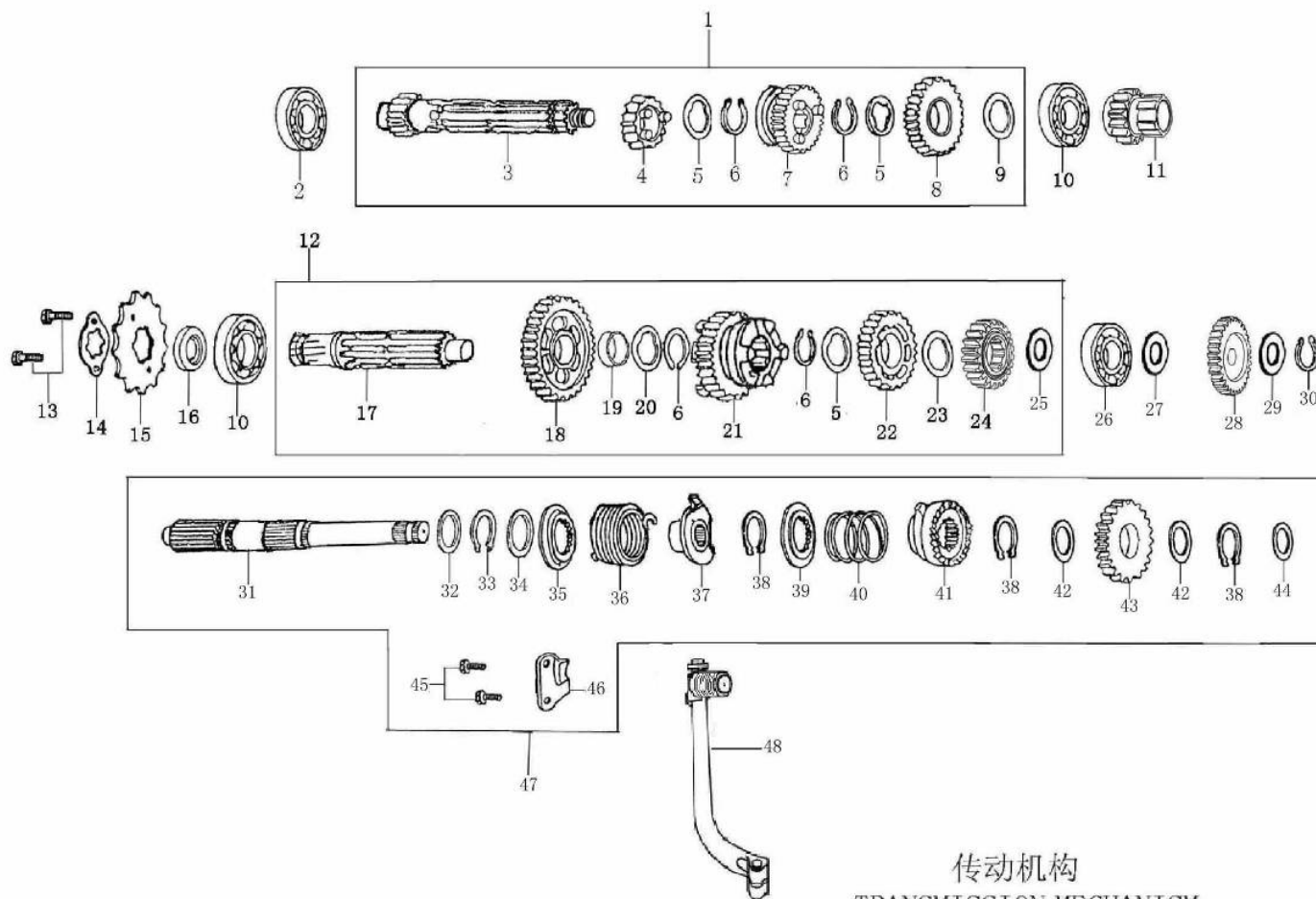
|    |                   |                                      |   |
|----|-------------------|--------------------------------------|---|
| 5  | 13103-JE15-0000   | PISTON RING (1ST)                    | 1 |
| 6  | 13104-JE15-0000   | PISTON RING (2ND)                    | 1 |
| 7  | 13120-JE15-0000   | ASSEMBLY, OIL RING                   | 1 |
| 8  | 14101-IZ02-0000   | DRIVE GEAR, OIL PUMP                 | 1 |
| 9  | 1320B-JZ28-0000   | ASSEMBLY, CRANK SHAFT CONNECTING     | 1 |
| 10 | 92102-00000562215 | BEARING (TM-SC04A86/P5CS12 56×22×15) | 2 |
| 11 | 91601-D002-0000   | SEMICIRCULAR KEY 4×12.5              | 1 |
| 12 | 13222-JE15-0000   | TIMING DRIVE SPROCKETT               | 1 |
| 13 | 13220-JE15-0000   | CRANK SHAFT CONNECTING ROD           | 1 |
| 14 | 13228-IZ22-0000   |                                      |   |
| 15 | 14202-I016-0000   |                                      |   |
| 16 | 91208-G011-0000   | NUT                                  |   |
| 17 |                   |                                      |   |
| 18 |                   |                                      |   |
| 19 |                   |                                      |   |
| 20 |                   |                                      |   |
| 21 |                   |                                      |   |
| 22 |                   |                                      |   |
| 23 |                   |                                      |   |
| 24 |                   |                                      |   |
| 25 |                   |                                      |   |
| 26 |                   |                                      |   |
| 27 |                   |                                      |   |
| 28 |                   |                                      |   |
| 29 |                   |                                      |   |
| 30 |                   |                                      |   |
| 31 |                   |                                      |   |
| 32 |                   |                                      |   |
| 33 |                   |                                      |   |
| 34 |                   |                                      |   |
| 35 |                   |                                      |   |
| 36 |                   |                                      |   |
| 37 |                   |                                      |   |
| 38 |                   |                                      |   |
| 39 |                   |                                      |   |
| 40 |                   |                                      |   |
| 41 |                   |                                      |   |
| 42 |                   |                                      |   |
| 43 |                   |                                      |   |
| 44 |                   |                                      |   |
| 45 |                   |                                      |   |



曲轴 / 活塞 / 连杆部件  
CRANKSHAFT/PISTON/CONNECTING ROD COMP

ZS160HO TRANSMISSION MECHANISM

| #  | PART NO           | DESCRIPTION                         | QTY. |
|----|-------------------|-------------------------------------|------|
| 1  | 23220-JA16-0000   | MAINSHAFT ASSEMBLY                  | 1    |
| 2  | 92102-0000006001  | BEARING (6001)                      | 1    |
| 3  | 23221-JA16-0000   | PIVOT, MAINSHAFT                    | 1    |
| 4  | 23222-JA16-0002   | MAINSHAFT 2ND SPEED GEAR            | 1    |
| 5  | 23223-D002-0000   | SPLINE WASHER 15.5(17.2)×1.2×21     | 3    |
| 6  | 23226-D002-0000   | CIRCLIP, MAINSHAFT GEAR             | 4    |
| 7  | 23222-JA16-0003   | MAINSHAFT 3RD SPEED GEAR            | 1    |
| 8  | 23222-JA16-0004   | MAINSHAFT 4TH SPEED GEAR            | 1    |
| 9  | 93301-61710526000 | WASHER 17.1×0.5×26                  | 1    |
| 10 | 92102-0000006203  | BEARING (6203)                      | 2    |
| 11 | 23233-IZ02-0000   | STARTING GEAR                       | 1    |
| 12 | 23240-JA16-0000   | ASSEMBLY, COUNTERSHAFT              | 1    |
| 13 | B057830006001070B | BOLT M6×10                          | 2    |
| 14 | 23402-D002-0000   | LOCATING PLATE                      | 1    |
| 15 | 23401-G011-0008   | DRIVE SPROCKET (428.15)             | 1    |
| 16 | 90303-D002-0000   | OIL SEAL 17×29×5                    | 1    |
| 17 | 23241-JA16-0000   | PIVOT, COUNTERSHAFT                 | 1    |
| 18 | 23242-D002-0001   | COUNTERSHAFT 1ST SPEED GEAR         | 1    |
| 19 | 23247-D002-0000   | SLEEVE, COUNTERSHAFT GEAR 20×19     | 1    |
| 20 | 23223-D002-0002   | SPLINE WASHER 15.5(17.2)×1.2×23     | 1    |
| 21 | 23242-D002-0002   | COUNTERSHAFT 2ND SPEED GEAR         | 1    |
| 22 | 23242-JA16-0003   | COUNTERSHAFT 3RD SPEED GEAR         | 1    |
| 23 | 93301-51721026000 | CIRCLIP 17.2×1.0×26                 | 1    |
| 24 | 23242-JA16-0004   | COUNTERSHAFT 4TH SPEED GEAR         | 1    |
| 25 | 93301-5152052300C | WASHER 15.2×0.5×23                  | 1    |
| 26 | 92102-00006002SKF | BEARING (6002SKF)                   | 1    |
| 27 | 93301-5152152500N | WASHER 15.2×1.5×25                  | 1    |
| 28 | 23248-IZ02-0000   | IDLE GEAR, COUNTERSHAFT STARTING    | 1    |
| 29 | 93301-61521025000 | WASHER 15.2×1×25                    | 1    |
| 30 | B0089401150000000 | CIRCLIP 15                          | 1    |
| 31 | 21107-IZ02-0000   | PIVOT, KICK STARTING SHAFT          | 1    |
| 32 | 93301-61410522000 | WASHER 14.1×0.5×22                  | 1    |
| 33 | 91402-D002-0000   | CHECK RING φ15.5×1.2×φ19            | 1    |
| 34 | 93301-61721024000 | WASHER 17.2×1×24                    | 1    |
| 35 | 21104-IZ02-0000   | SEAT, SPRING, KICK STARTING SHAFT   | 1    |
| 36 | 21106-IZ02-0000   | RETURN SPRING, KICK STARTING SHAFT  | 1    |
| 37 | 21104-D002-0000   | ASSEMBLY, COUNTERSHAFT              | 1    |
| 38 | 91402-D002-0100   | CIRCLIP φ18.5×1.2×φ22.1             | 3    |
| 39 | 21122-D002-0000   | SEAT, RATCHET WHEEL                 | 1    |
| 40 | 21119-D002-0000   | SPRING, KICK STARTING RATCHET WHEEL | 1    |
| 41 | 21118-IZ02-0000   | RATCHET WHEEL, KICK STARTER         | 1    |
| 42 | 93301-62011027000 | WASHER 20.1×1×27                    | 2    |
| 43 | 21117-IZ02-0000   | GEAR, KICK STARTER                  | 1    |
| 44 | 93301-61411022000 | WASHER 14.1×1×22                    | 1    |
| 45 | B057830006001870B | BOLT M6×18                          | 2    |
| 46 | 21123-IZ02-0000   | GUIDE PLATE, RATCHET WHEEL          | 1    |
| 47 | 21100-IZ02-0000   | KICK STARTING SHAFT ASSEMBLY        | 1    |
| 48 | 21200-F004-0002   | KICK STARTING SHAFT                 | 1    |



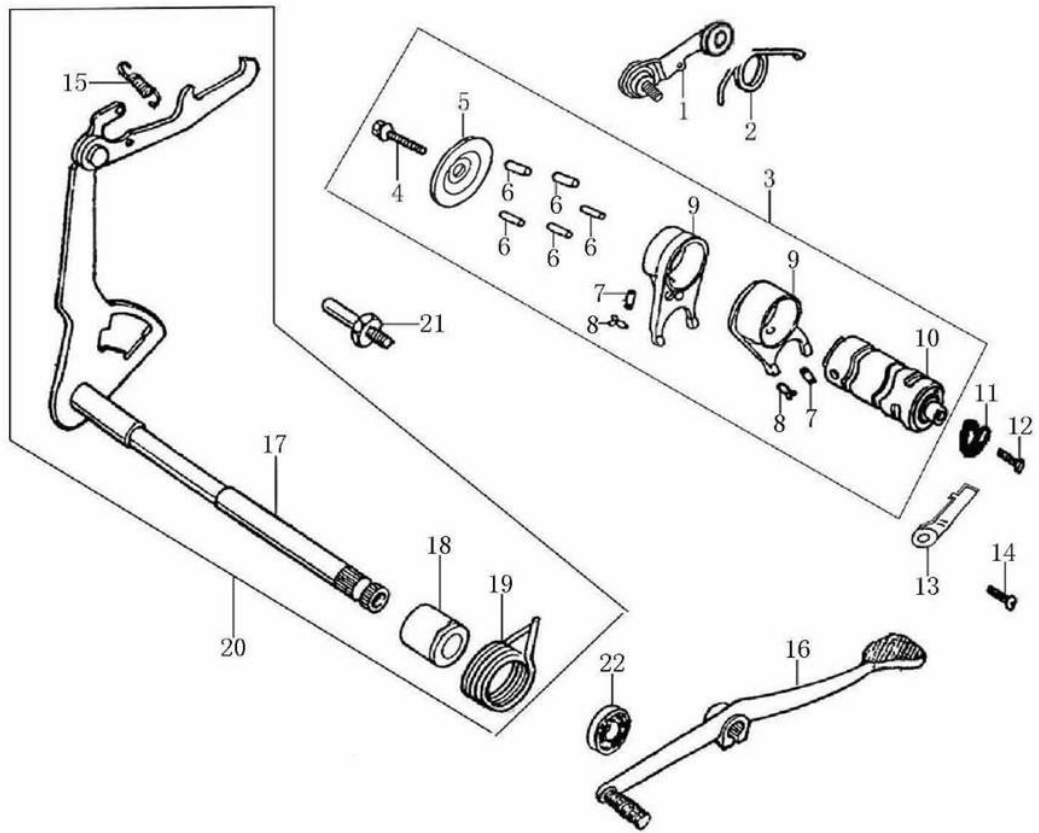
传动机构  
TRANSMISSION MECHANISM

ZS160HO GEARSHIFT MECHANISM

| # | PART NO | DESCRIPTION | QTY. |
|---|---------|-------------|------|
|---|---------|-------------|------|



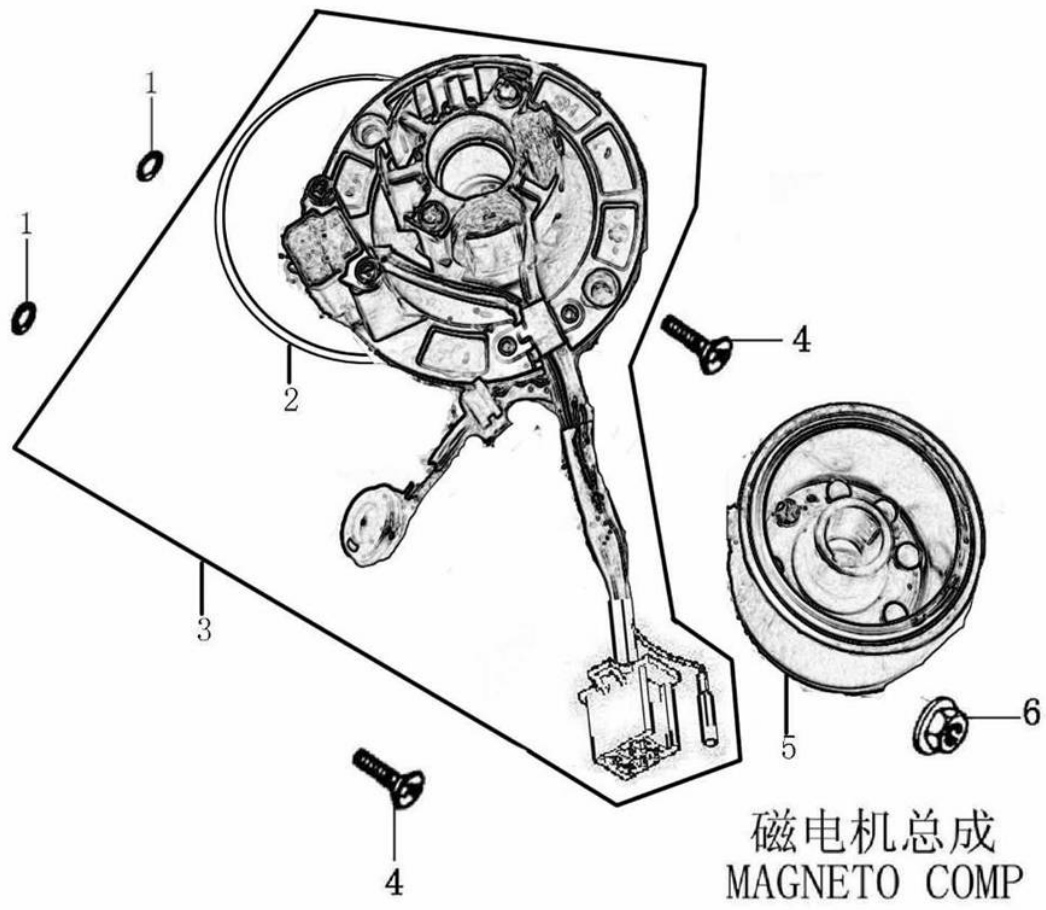
|    |                   |                                  |   |
|----|-------------------|----------------------------------|---|
| 1  | 2434A-H032-0000   | LOCATING PLATE UNIT              | 1 |
| 2  | 24304-G011-0000   | SPRING, LOCATING PLATE           | 1 |
| 3  | 24200-JE15-0000   | ASSEMBLY, GEARSHIFT DRUM         | 1 |
| 4  | B008200006002020B | BOLT M6×20                       | 1 |
| 5  | 24212-D002-0000   | STOPPING PLATE                   | 1 |
| 6  | 91522-04001300000 | PIN, GEARSHIFT DRUM 4×13         | 5 |
| 7  | 24102-D002-0000   | GUIDE PIN                        | 2 |
| 8  | 24103-D002-0000   | CLIP, SPRING                     | 2 |
| 9  | 24101-D002-0000   | GEARSHIFT FORK                   | 2 |
| 10 | 24213-JE15-0000   | GEARSHIFT DRUM                   | 1 |
| 11 | 88004-G011-0000   | CONTACT, GEAR INDICATION         | 1 |
| 12 | 91149-G011-00000C | SCREW                            | 1 |
| 13 | 88002-G011-0001   | GEARSHIFT SWITCH PRESSING PLATE  | 1 |
| 14 | B008230006001220B | SCREW M6×12                      | 1 |
| 15 | 24318-D002-0000   | SPRING, GEARSHIFT LEVER TENSION  | 1 |
| 16 | 24400-F004-0004   | ASSEMBLY, GEARSHIFT PEDAL (BT-4) | 1 |
| 17 | 24301-D002-0100   | GEARSHIFT SHAFT                  | 1 |
| 18 | 24320-D002-0000   | BUSH                             | 1 |
| 19 | 24302-D002-0000   | RETURN SPRING, GEARSHIFT LEVER   | 1 |
| 20 | 24300-D002-0100   | ASSEMBLY, GEARSHIFT LEVER        | 1 |
| 21 | 91117-D002-0000   | BOLT M8×11                       | 1 |
| 22 | 90301-D002-0000   | OIL SEAL 11.6×24×10              | 1 |
| 23 |                   |                                  |   |
| 24 |                   |                                  |   |
| 25 |                   |                                  |   |
| 26 |                   |                                  |   |
| 27 |                   |                                  |   |
| 28 |                   |                                  |   |
| 29 |                   |                                  |   |
| 30 |                   |                                  |   |
| 31 |                   |                                  |   |
| 32 |                   |                                  |   |
| 33 |                   |                                  |   |
| 34 |                   |                                  |   |
| 35 |                   |                                  |   |
| 36 |                   |                                  |   |
| 37 |                   |                                  |   |
| 38 |                   |                                  |   |
| 39 |                   |                                  |   |
| 40 |                   |                                  |   |
| 41 |                   |                                  |   |
| 42 |                   |                                  |   |
| 43 |                   |                                  |   |
| 44 |                   |                                  |   |
| 45 |                   |                                  |   |



变速机构  
GEARSHIFT MECHANISM

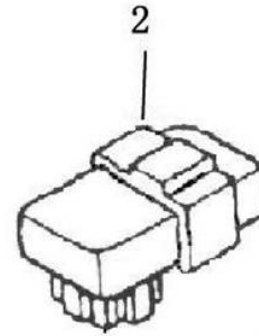
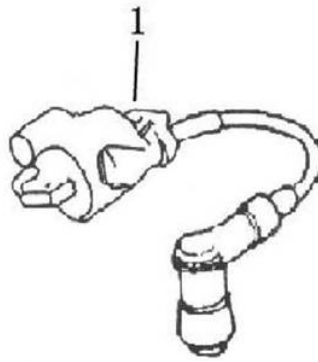
| ZS160HO MAGNETO COMP |         |             |      |
|----------------------|---------|-------------|------|
| #                    | PART NO | DESCRIPTION | QTY. |

|    |                   |                          |   |
|----|-------------------|--------------------------|---|
| 1  | 90101-10065000180 | O-RING 6.5×1.8           | 2 |
| 2  | 90101-21068000200 | O-RING 106.8×2           | 1 |
| 3  | 82120-IZ27-000145 | STATOR ASSEMBLY, MAGNETO | 1 |
| 4  | B008190106001620B | SCREW M6×16              | 2 |
| 5  | 82130-IZ27-0100   | ROTOR ASSEMBLY, MAGNETO  | 1 |
| 6  | 91213-D002-00000X | NUT                      | 1 |
| 7  |                   |                          |   |
| 8  |                   |                          |   |
| 9  |                   |                          |   |
| 10 |                   |                          |   |
| 11 |                   |                          |   |
| 12 |                   |                          |   |
| 13 |                   |                          |   |
| 14 |                   |                          |   |
| 15 |                   |                          |   |
| 16 |                   |                          |   |
| 17 |                   |                          |   |
| 18 |                   |                          |   |
| 19 |                   |                          |   |
| 20 |                   |                          |   |
| 21 |                   |                          |   |
| 22 |                   |                          |   |
| 23 |                   |                          |   |
| 24 |                   |                          |   |
| 25 |                   |                          |   |
| 26 |                   |                          |   |
| 27 |                   |                          |   |
| 28 |                   |                          |   |
| 29 |                   |                          |   |
| 30 |                   |                          |   |
| 31 |                   |                          |   |
| 32 |                   |                          |   |
| 33 |                   |                          |   |
| 34 |                   |                          |   |
| 35 |                   |                          |   |
| 36 |                   |                          |   |
| 37 |                   |                          |   |
| 38 |                   |                          |   |
| 39 |                   |                          |   |
| 40 |                   |                          |   |
| 41 |                   |                          |   |
| 42 |                   |                          |   |
| 43 |                   |                          |   |
| 44 |                   |                          |   |
| 45 |                   |                          |   |



ZS160HO ELECTRIC

| #  | PART NO           | DESCRIPTION   | QTY. |
|----|-------------------|---------------|------|
| 1  | 81100-1008-000050 | IGNITION COIL | 1    |
| 2  | 81200-1Z27-0000   | C.D.I         | 1    |
| 3  |                   |               |      |
| 4  |                   |               |      |
| 5  |                   |               |      |
| 6  |                   |               |      |
| 7  |                   |               |      |
| 8  |                   |               |      |
| 9  |                   |               |      |
| 10 |                   |               |      |
| 11 |                   |               |      |
| 12 |                   |               |      |
| 13 |                   |               |      |
| 14 |                   |               |      |
| 15 |                   |               |      |
| 16 |                   |               |      |
| 17 |                   |               |      |
| 18 |                   |               |      |
| 19 |                   |               |      |
| 20 |                   |               |      |
| 21 |                   |               |      |
| 22 |                   |               |      |
| 23 |                   |               |      |
| 24 |                   |               |      |
| 25 |                   |               |      |
| 26 |                   |               |      |
| 27 |                   |               |      |
| 28 |                   |               |      |
| 29 |                   |               |      |
| 30 |                   |               |      |
| 31 |                   |               |      |
| 32 |                   |               |      |
| 33 |                   |               |      |
| 34 |                   |               |      |
| 35 |                   |               |      |
| 36 |                   |               |      |
| 37 |                   |               |      |
| 38 |                   |               |      |
| 39 |                   |               |      |
| 40 |                   |               |      |
| 41 |                   |               |      |
| 42 |                   |               |      |
| 43 |                   |               |      |
| 44 |                   |               |      |
| 45 |                   |               |      |



电零件  
ELECTRIC

