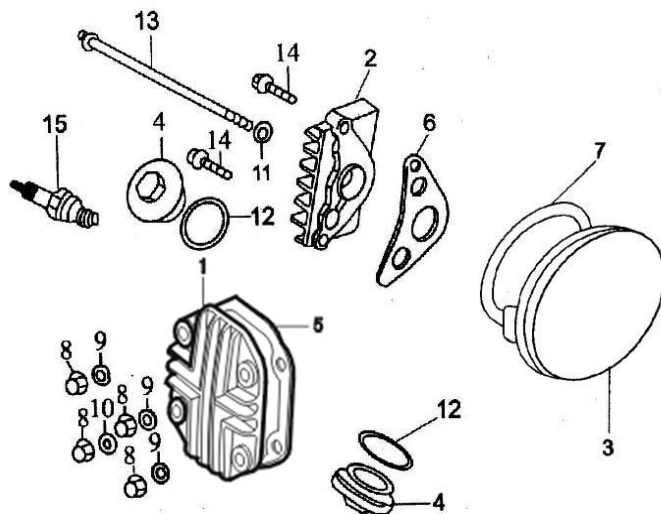
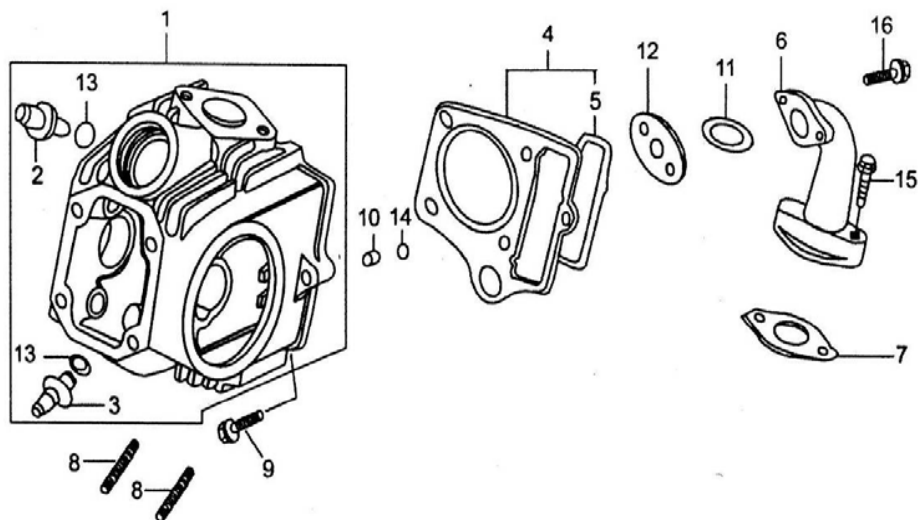


E-1 气缸头盖

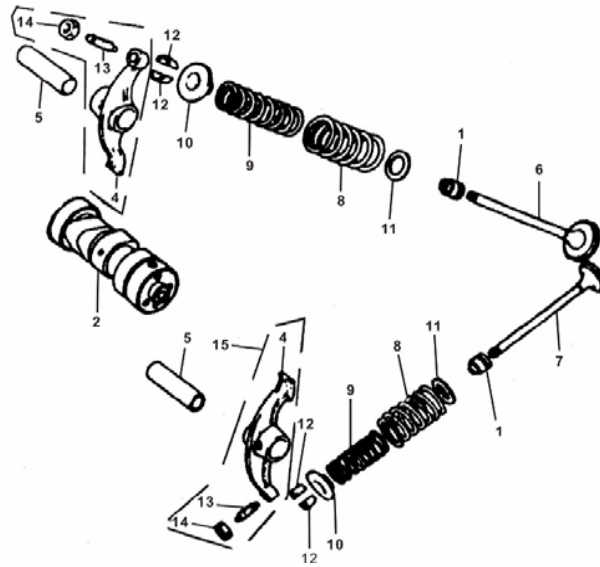
Cylinder Head Cover



序号 Ref. No.	零部件编码 Part No.	零部件名称	Description	数量 Quantity	备注 Remark
1	A00A036	气缸头盖	Cover, Cylinder Head	1	
2	A00A035	气缸头右盖	Cylinder Head Cover, RH	1	
3	A00A033	气缸头左盖	Cylinder Head Cover, LH	1	
4	D00A032	气门盖	Cover, Valve	2	
5	D00B009	气缸头盖密封垫	Gasket, Cylinder Head Cover	1	
6	D00B007	气缸头右盖密封垫	Gasket, Cylinder Head Cover, RH	1	
7	D00B006	气缸头左盖密封垫	Gasket, Cylinder Head Cover, LH	1	
8	923060000	盖形螺母M6	Cap Nut M6	4	
9	D00L017	铁垫圈6	Steel Washer 6	3	
10	D00L012	铜垫圈6	Copper Washer 6	1	
11	D00L020	铝垫圈6	aluminium Washer 6	1	
12	D00C058	气门盖O型圈30.8×3.2	O-ring 30.8×3.2	2	
13	96006110	带盘螺栓M6×110	Bolt M6×110	1	
14	96006020	带盘螺栓M6×20	Bolt M6×20	2	
15	D001D021	火花塞A7TC	Spark Plug A7TC	1	

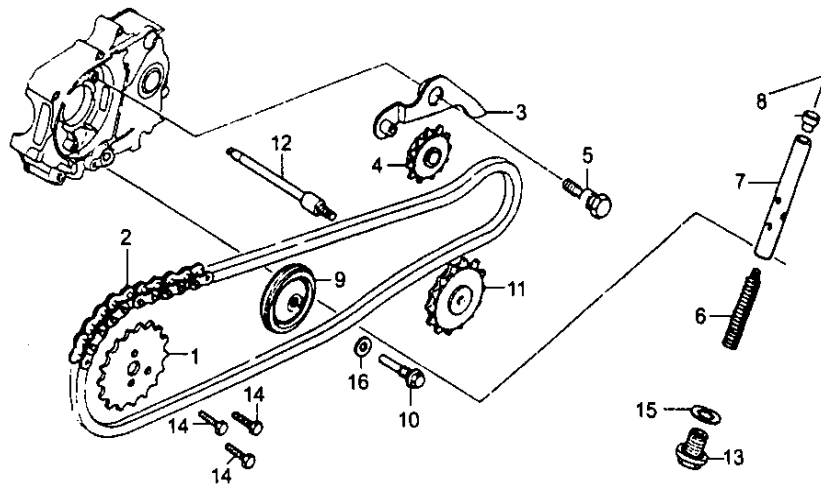


序号 Ref. No.	零部件编码 Part No.	零部件名称	Description	数量 Quantity	备注 Remark
1	A00A000	气缸头组合	Cylinder Head Sub-Assy	1	
2	A00-2-2	进气门导管	Guide, Intake Valve	1	
3	A00-2-3	排气门导管	Guide, Exhaust Valve	1	
4	A00B008	气缸头密封垫	Gasket, Cylinder Head	1	
5	A00-2-5	链条腔封环组合	Gasket, Chain Bousing	1	
6	A00-2-6	进气管	Inlet Pipe	1	
7	A00-2-7	进气管密封垫	Gasket, Inlet Pipe	1	
8	D00M009	双头螺栓M6×32	Stud M6×32	2	
9	D00M015	连接螺栓M6×23	Bolt M6×23	1	
10	D00L040	翻边衬套Φ8×9	Sleeve Φ8×9	1	
11	A00-2-11	O型密封圈	O-Ring	1	
12	A00-2-12	进气管胶木垫	Insulating Mat, Inlet Pipe	1	
13	A00-2-13	导管O型圈9×1.6	O-Ring 9×1.6	2	
14	D00C031	矩形圈9×11.7×1.5	Rectangular Ring 9×11.7×1.5	1	
15	A00-2-15	螺栓M6×28	Bolt M6×28	2	
16	A00-2-16	螺栓M6×22	Bolt M6×22	2	

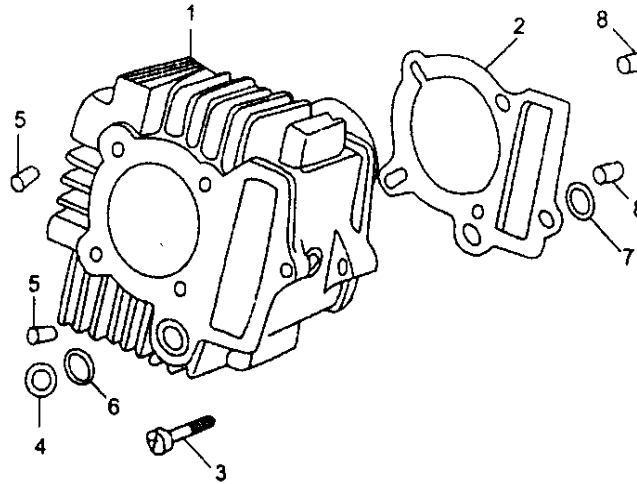


序号 Ref. No.	零部件编码 Part No.	零部件名称	Description	数量 Quantity	备注 Remark
1	D00C043	挡油罩	Oil seal, Valve Stem	2	
2	A00F020	凸轮轴组件	Camshaft Assy	1	
4	D00F000	气门摇臂	Rocker Arm, Valve	2	
5	D00F015	摇臂轴	Shaft, Rocker Arm	2	
6	D00F045	进气门	Intake Valve	1	
7	D00F039	排气门	Exhaust Valve	1	
8	D00H003	气门外弹簧	Outer Spring, Valve	2	
9	D00H004	气门内弹簧	Inner Spring, Valve	2	
10	D00F034	气门内外弹簧座	Spring Retainer, Upper	2	
11	A00-3-11	气门外弹簧座圈	Spring Retainer, Outer	2	
12	D00F033	气门锁夹	Spring Cone, Valve	4	
13	A00-3-13	气门间隙调节螺钉	Adjusting Screw, Valve Gap	2	
14	A00-3-14	气门间隙调节螺母	Lock Nut	2	
15	D00F000	气门摇臂组件	Rocker Arm Assy	2	

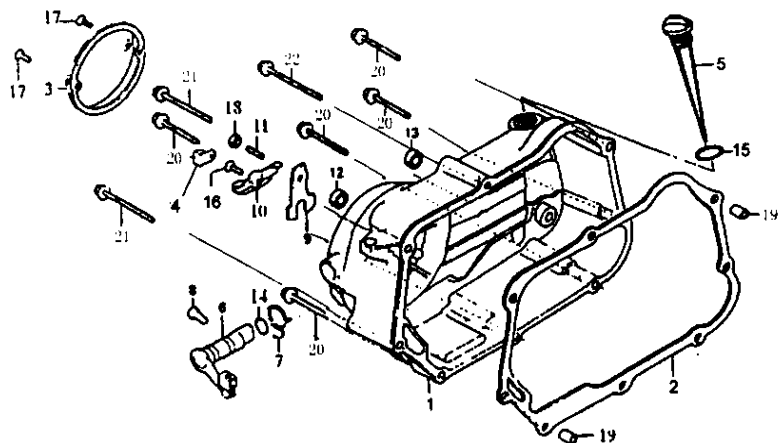
E-4 正时链条 张紧器 Timing Chain & Tensioner



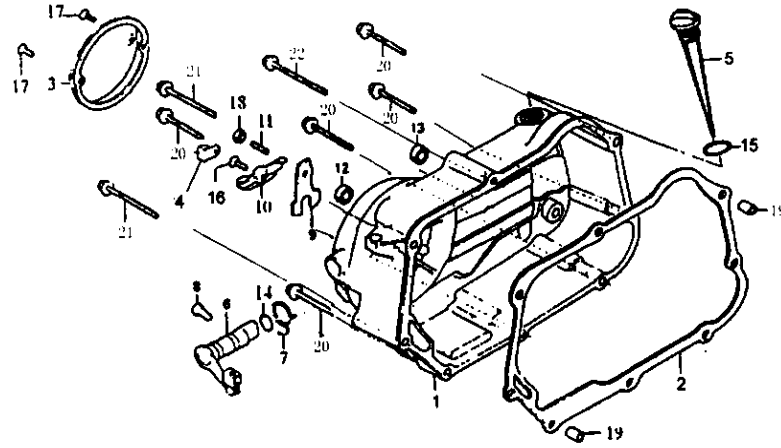
序号 Ref. No.	零部件编码 Part No.	零部件名称	Description	数量 Quantity	备注 Remark
1	A00F011	正时从动链轮 (28T)	Timing Driver Sprocket (28T)	1	
2	D00F012	正时链条 (84T)	Timing Chain (84T)	1	
3	D00F043	链条张紧臂组件	Tensioning Arm	1	
4	D00C020	链条张紧滚轮组件	Tensioning Roller	1	
5	D00F044	链条张紧臂芯轴	Screw	1	
6	D00H006	链条张紧杆弹簧	Spring	1	
7	D00F042	链条张紧杆组件	Tensioning Bar	1	
8	A00-4-7	链条张紧杆头	Cap	1	
9	D00C023	链条导向滚轮组件	Guiding Wheel	1	
10	D00F048	导向滚轮销轴	Pin, Guiding Wheel	1	
11	D00E028	机油泵链轮	Drive Sprocket, Oil pump	1	
12	D00E027	机油泵链轮轴	Sprocket Shaft, Oil pump	1	
13	D00E025	密封螺塞14	Sealing Plug M14×1.5	1	
14	578305012	六角螺栓M5×12	Bolt M5×12	3	
15	D00L021	铝垫圈14	Aluminium Washer 14	1	
16	D00L019	铝垫圈8	Aluminium Washer 8	1	



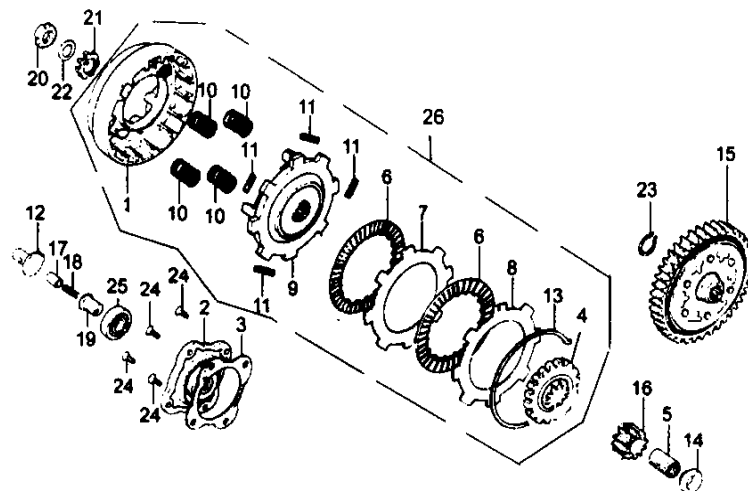
序号 Ref. No.	零部件编码 Part No.	零部件名称	Description	数量 Quantity	备注 Remark
1	C0015A038	气缸体	Cylinder Block	1	
2	D00B010	气缸体密封垫	Gasket, Cylinder Block	1	
3	D00M015	连接螺栓M6×23	Bolt M6×23	1	
4	A00-5-4	垫圈	Washer	1	
5	97010014	定位销10×14	Dowel pin 10×14	2	
6	D001L032	矩形密封圈14.5×18.5×2.4	Rectangular Ring 14.5×18.5×2.4	1	
7	D00L033	矩形密封圈11.5×15.7×2.4	Rectangular Ring 11.5×15.7×2.4	1	
8	97008012	定位销8×12	Dowel pin 8×12	2	



序号 Ref. No.	零部件编码 Part No.	零部件名称	Description	数量 Quantity	备注 Remark
1	A002A034	右曲轴箱盖	Right Crankcase Cover	1	
2	D00B002	右曲轴箱盖密封垫	Gasket.Crankcase Cover, RH	1	
3	A001A039	小圆盖	Clutch Cover	1	
4	A00-6-4	点火线圈线夹	Wire Clamp	1	
5	A00C038	机油标尺	Dipstick	1	
6	A00-6-6	离合器操纵杆组合	Operating Shaft, Clutch	1	
7	A00-6-7	离合器操纵杆弹簧	Spring	1	
8	A00-6-8	离合器操纵杆定位销	Set Pin	1	
9	A00-6-9	离合器拨板	Control Plate	1	
10	A00-6-10	离合器操纵杆压板	Press Plate	1	
11	A00-6-11	离合器调节螺杆	Screw	1	
12	A00C012	推杆油封12×21×4	Oil Seal 12×21×4	1	
13	D00C016	油封13.8×24.5	Oil Seal 13.8×24.5	1	
14	A00-6-14	O形圈	O-Ring	1	
15	D00C060	O型密封圈18×3.5	O-Ring 18×3.5	1	
16	81806016	十字盘头螺钉M6×16	ScrewM6×16	1	

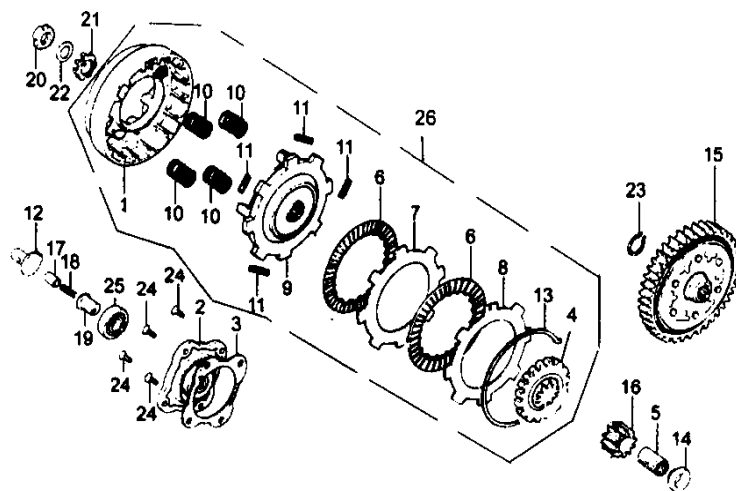


序号 Ref. No.	零部件编码 Part No.	零部件名称	Description	数量 Quantity	备注 Remark
17	578305012	六角螺栓M5×12	Screw 5×12	2	
18	A00-6-18	六角螺母8mm	Hex Nut 8MM	1	
19	97008012	定位销8×12	Dowel Pin 8×12	2	
20	96006040	带盘螺栓6×40	Bolt 6×40	5	
21	A00-6-21	带盘螺栓6×80	Bolt 6×80	2	
22	96006065	带盘螺栓6×65	Bolt 6×65	1	



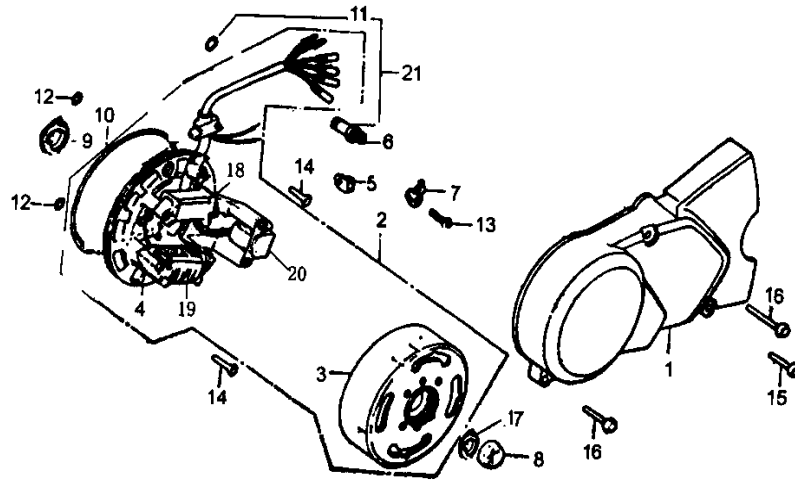
序号 Ref. No.	零部件编码 Part No.	零部件名称	Description	数量 Quantity	备注 Remark
1	A00-7-1	离合器外罩	Cluth Hood	1	
2	A00-7-2	离合器端盖	End Cover	1	
3	A00-7-3	离合器端盖密封垫	Gasket	1	
4	A00-7-4	主动齿轮外套	Sleeve	1	
5	A00-7-5	初级主动齿轮衬套	Bushing	1	
6	A00-7-6	从动片组合	Driven Plate Set	2	
7	A00-7-7	主动片(一)	Drive Plate (No.1)	1	
8	A00-7-8	主动片(二)	Drive Plate (No.2)	1	
9	A00-7-9	离合器主动盘	Drive Disk	1	
10	A00-7-10	离合器弹簧	Spring	4	
11	A00-7-11	离合器减震弹簧	Damping Spring	4	
12	A00G043	离合器推杆组合	Push Rod Set	1	
13	A00-7-13	弹性挡圈	Collar	1	
14	A00-7-14	离合器垫圈	Washer	1	
15	A00K016	初级从动齿轮组合	Primary Driven Gear	1	
16	A00K015	初级主动齿轮	Primary Driven Gear Set	1	





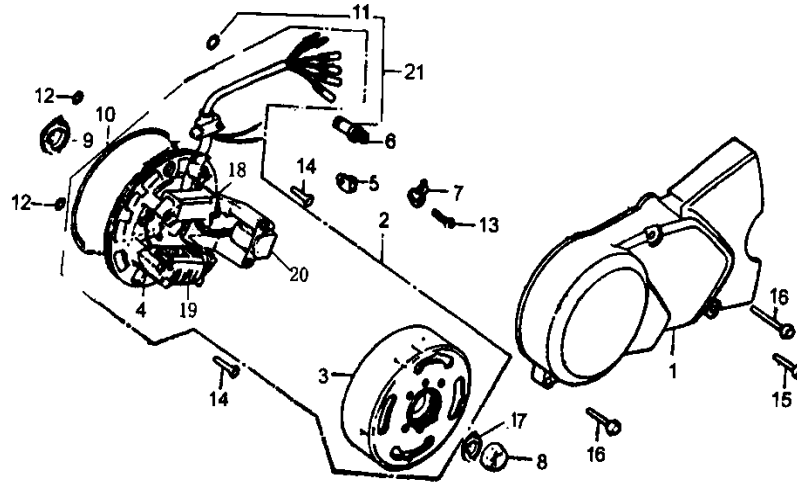
序号 Ref. No.	零部件编码 Part No.	零部件名称	Description	数量 Quantity	备注 Remark
17	A00-7-17	曲轴通油管	Oil Tube	1	
18	A00-7-18	通油管弹簧	Spring	1	
19	A00-7-19	通油套管	Sleeve	1	
20	A00-7-20	离合器大圆螺母	Lock Nut M14×1	1	
21	A00-7-21	离合器止退垫圈	Lock Washer 14	1	
22	A00-7-22	离合器碟形垫圈	Washer 14	1	
23	A00K017	从动齿轮挡圈	Snap Ring	1	
24	A00-7-24	螺钉 M5×10	Screw M5×10	4	
25	2766203	轴承 6203	Bearing 6203	1	
26	A00G060	离合器主体组合	Clutch Body	1	

E-8 左曲轴箱盖 磁电机 Left Crankcase Cover & Magnetic Motor



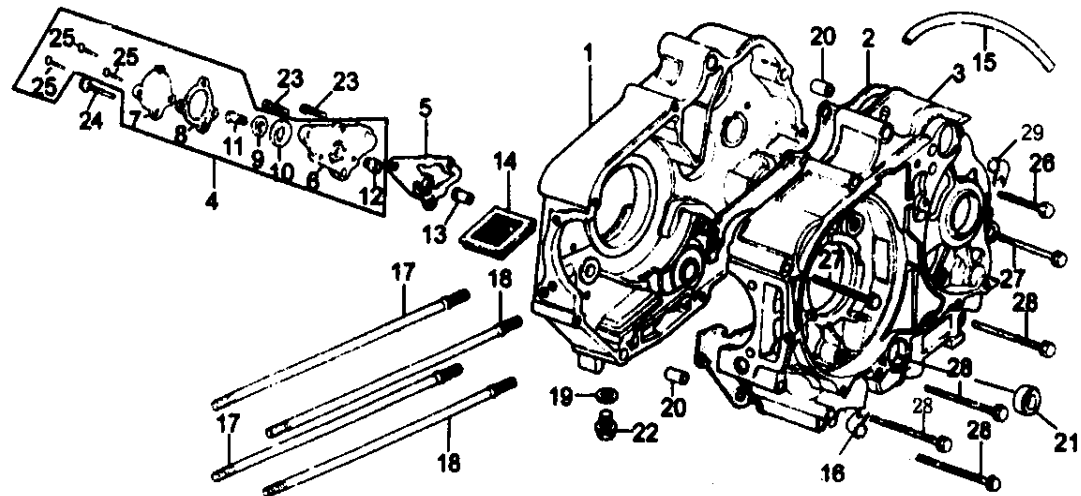
序号 Ref. No.	零部件编码 Part No.	零部件名称	Description	数量 Quantity	备注 Remark
1	A00-8-1	左曲轴箱盖	Crankcase Cover, LH	1	
2	A00-8-2	磁电机总成	Magneto Assy	1	
3	A014D060	磁电机转子组件	Rotor, Magneto	1	
4	A0188D070	磁电机定子组件	Stator, Magneto	1	
5	A00-8-5	空档线密封块	Wire Seal Block	1	
6	D001D040	档显示器组件	Indicator, Neutral	1	
7	D00L034	档显线压板	Press Plate	1	
8	617710000	磁电机紧固螺母M10×1.25	Lock Nut	1	
9	D001C008	油封17×29×5	Seal Oil 17×29×5	1	
10	D002C062	O型圈107×2	O-ring 107×2	1	
11	A00-8-11	空档指示器O形圈7×1.7	O-ring 7×1.7	1	
12	A00-8-12	O形圈6.5×1.9	O-ring 6.5×1.9	2	
13	81806012	十字盘头螺钉M6×12	Screw M6×12	1	
14	7006014	内六角螺钉M6×14	Screw M6×14	2	
15	A00-8-15	螺栓M6×28	Bolt M6×28	1	
16	A00-8-16	螺栓M6×35	Bolt M6×35	2	

E-8 左曲轴箱盖 磁电机 Left Crankcase Cover & Magnetic Motor



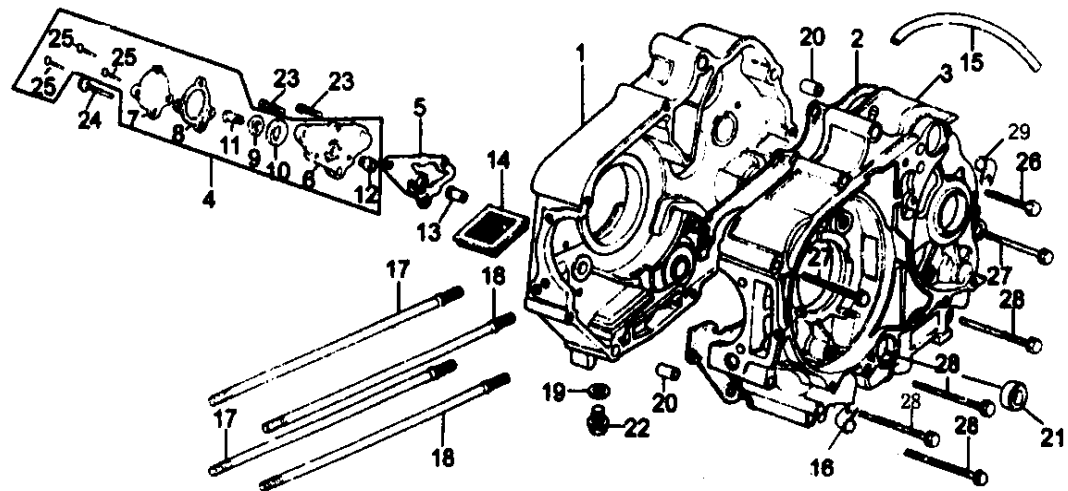
序号 Ref. No.	零部件编码 Part No.	零部件名称	Description	数量 Quantity	备注 Remark
17	A00-8-17	垫圈	Washer	1	
18	A00-8-18	充电线圈	Charge Coil	1	
19	A00-8-19	照明线圈	Illumination	1	
20	A00-8-20	触发线圈	Induced Coil	1	
21	A00-8-21	空档指示器组合	Neutral Indicator Set	1	

E-9 曲轴箱、机油泵 Crankcase & Oil Pump

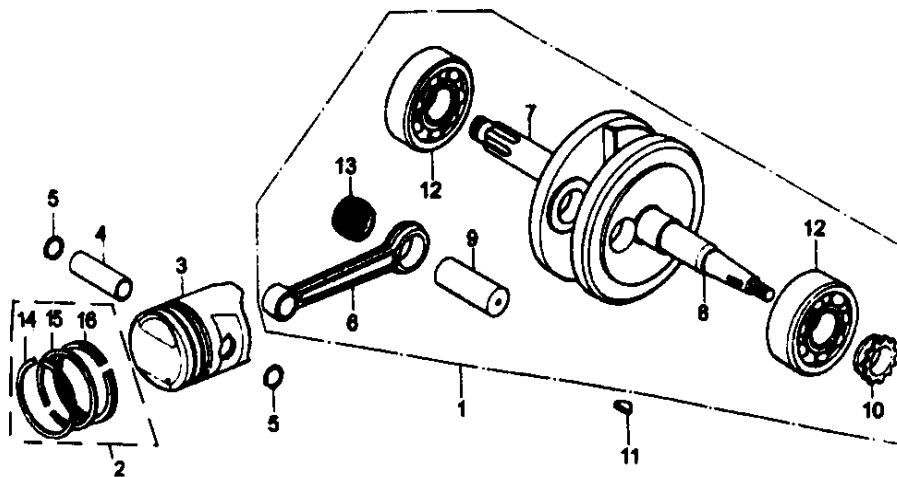


序号 Ref. No.	零部件编码 Part No.	零部件名称	Description	数量 Quantity	备注 Remark
1	A001A020	右曲轴箱组件	Crankcase Sub-Assy, RH	1	
2	DO0B005	曲轴箱密封垫圈	Gasket, Crankcase	1	
3	A014A010	左曲轴箱组件	Crabkcase Sub-Assy, LH	1	
4	D01E000	机油泵总成	Oil pump	1	
5	DO0B017	机油泵密封垫	Gasket, Oil pump	1	
6	A00-9-6	机油泵体	Boby, oil pump	1	
7	A00-9-7	机油泵盖	Cover, oil pump	1	
8	A00-9-8	机油泵盖密封垫	Gasket, Oil pump cover	1	
9	A00-9-9	机油泵内转子	Inner roater	1	
10	A00-9-10	机油泵外转子	Outer roater	1	
11	A00-9-11	机油泵轴	Shaft	1	
12	DO0E027	机油泵轴套	Sleeve	1	
13	DO0E022	机油泵链轮轴套	Sleeve, Sprocket	1	
14	DO0C037	机油滤网组合	Filter set	1	
15	DO0L013	废气管	Air pipe	1	
16	DO0L039	高压线夹	Pipe Clamp	1	

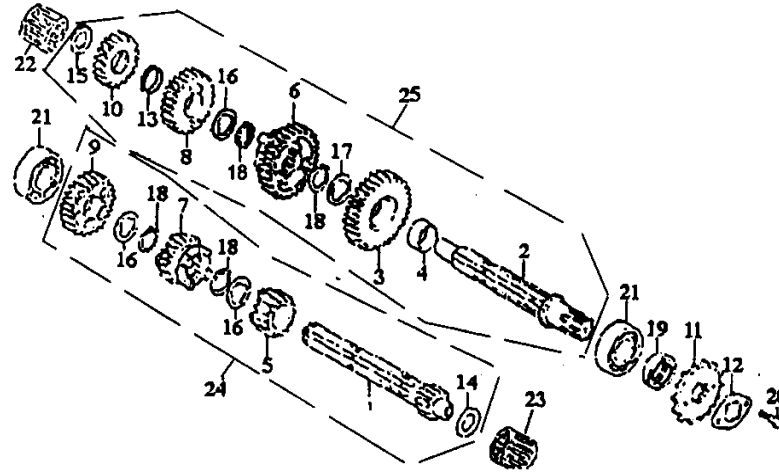
E-9 曲轴箱、机油泵 Crankcase & Oil Pump



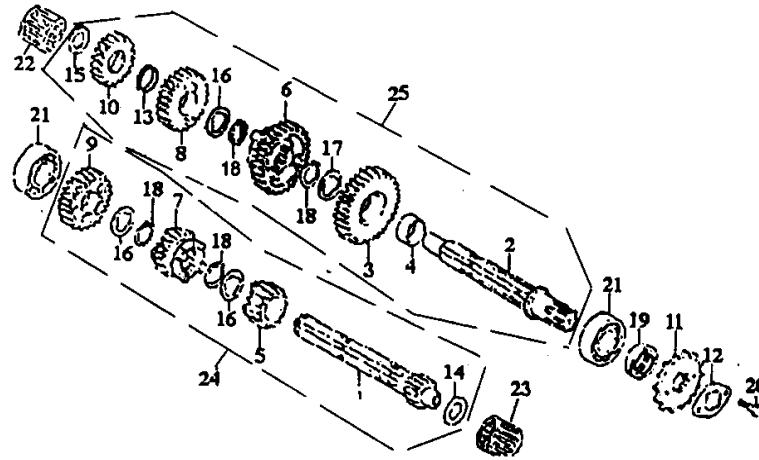
序号 Ref. No.	零部件编码 Part No.	零部件名称	Description	数量 Quantity	备注 Remark
17	C00M001	双头螺栓A	Bolt A, Cylinder	2	
18	C00M002	双头螺栓B	Bolt B, Cylinder	2	
19	D00L022	放油螺塞垫圈	Washer	1	
20	97010014	定位销10×14	Dowel pin 10×14	2	
21	D00C026	变档轴油封11.6×24×10	Oil seal 11.6×24×10	1	
22	D00E026	放油螺塞	Drain plug	1	
23	81806016	十字盘头螺钉M6×16	Screw M6×16	2	
24	81806022	十字盘头螺钉M6×22	Screw M6×22	1	
25	82005012	带盘螺钉M5×12	Screw M5×12	3	
26	96006050	带盘螺栓M6×50	Bolt M6×50	1	
27	96006060	带透螺栓M6×60	Bolt M6×60	2	
28	96006065	带盘螺栓M6×65	Bolt M6×65	4	
29	D00L014	废气管管夹	Clamp	1	



序号 Ref. No.	零部件编码 Part No.	零部件名称	Description	数量 Quantity	备注 Remark
1	C001J000	曲柄连杆总成	Crankshaft & Connecting Rod	1	
2	A00J013	活塞环组合	Piston Ring Set	1	
3	A00J014	活塞	Piston	1	
4	D00J012	活塞销	Piston Pin	1	
5	D00J011	活塞销挡圈	Cirelip,Piston Pin	2	
6	A00-10-6	连杆	Connecting Rod	1	
7	A00-10-7	右曲柄	Crankshaft, RH	1	
8	A00-10-8	左曲柄	Crankshaft, LH	1	
9	A00-10-9	曲柄销	Pin, Crankshaft	1	
10	A00-10-10	正时主动链轮 (14T)	Drive Sprocket, Timing (14T)	1	
11	A00-10-11	半圆键	Woodruff Key	1	
12	A00-10-12	轴承6304	Bearing 6304	2	
13	A00-10-13	连杆大头轴承	Bearing	1	
14	A00-10-14	活塞环(一)	Piston Ring(I)	1	
15	A00-10-15	活塞环(二)	Piston Ring(II)	1	
16	A00-10-16	油环组合	Oil ring, 3-piece	1	

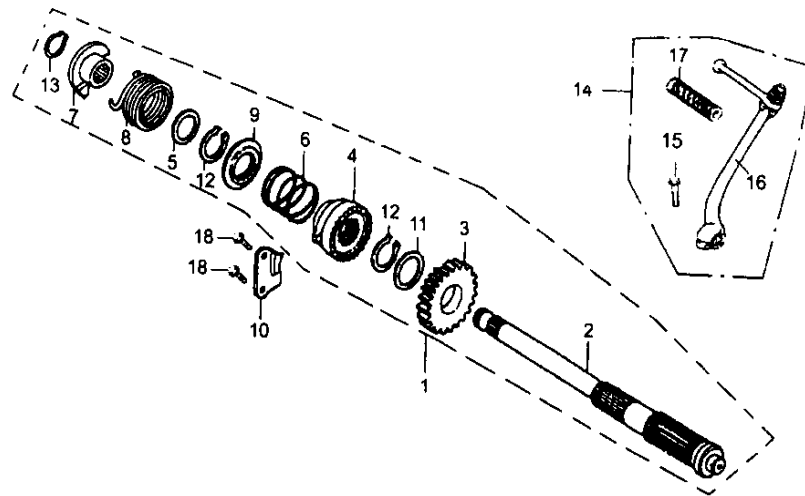


序号 Ref. No.	零部件编码 Part No.	零部件名称	Description	数量 Quantity	备注 Remark
1	A00-11-1	转动主轴	MAIN SHAFT	1	
2	A00-11-2	转动副轴	COUNTER SHAFT	1	
3	A00-11-3	副轴一档齿轮	C-1 GEAR	1	
4	A00-11-4	衬套20×9	BUSH 20×9	1	
5	A00-11-5	主轴二档齿轮	M-2 GEAR	1	
6	A00-11-6	副轴二档齿轮	C-2 GEAR	1	
7	A00-11-7	主轴三档齿轮	M-3 GEAR	1	
8	A00-11-8	副轴三档齿轮	C-3 GEAR	1	
9	A00-11-9	主轴四档齿轮	M-4 GEAR	1	
10	A00-11-10	副轴四档齿轮	C-4 GEAR	1	
11	A00K014	主动链轮	DRIVE SPROCKET 14T	1	
12	DOOK013	固定板	DRIVE SPROCKET FIXING PLATE	1	
13	A00-11-13	垫圈(一)	Washer (No. 1)	1	
14	A00-11-14	垫圈(一)	Washer (No. 1)	1	
15	A00-11-15	垫圈(二)	Washer (No. 2)	1	
16	A00-11-16	内花键垫圈	Washer	3	



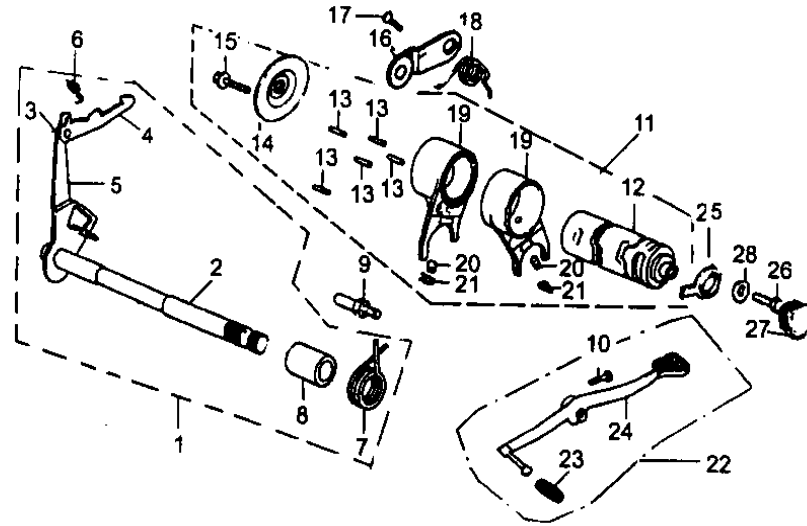
序号 Ref. No.	零部件编码 Part No.	零部件名称	Description	数量 Quantity	备注 Remark
17	A00-11-17	花键垫圈	SPLINE WASHER	1	
18	A00-11-18	弹性挡圈	Circllet	4	
19	D001C008	副轴油封17×29×5	Oil Seal 17×29×5	1	
20	578306008	六角螺栓M6×8	Bolt M6×8	2	
21	2766203	轴承6203	Bearing 6203	2	
22	2901312	滚针轴承13.5×22×12	Needle Bearing NK13.5×22×12	1	
23	2901412	滚针轴承14×22×12	Needle Bearing NK14×22×12	1	
24	A00K030	主轴组合	Main Shaft Assy	1	
25	A00K040	副轴组合	Countershaft Assy	1	



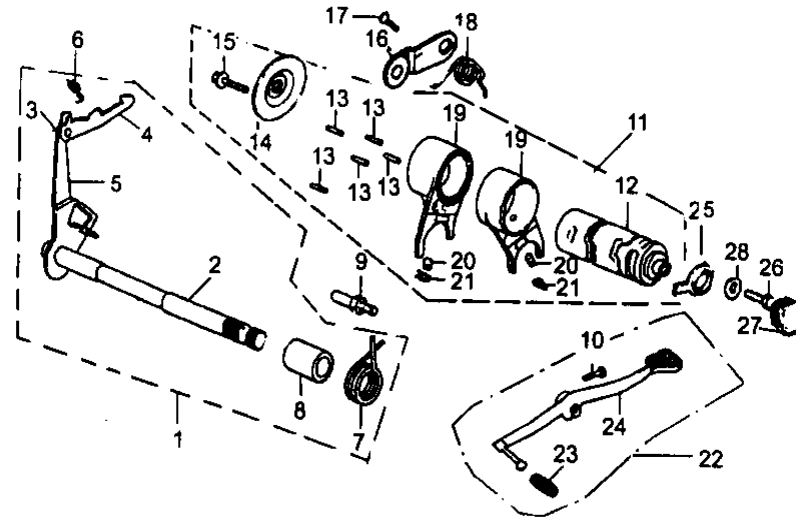


序号 Ref. No.	零部件编码 Part No.	零部件名称	Description	数量 Quantity	备注 Remark
1	D01I000	起动轴组件	Starting Shaft Assy	1	
2	A00-12-1	起动轴	KICK STARTER SPOINDLE	1	
3	A00-12-2	起动齿轮	PINION KICK STARTER	1	
4	A00-12-4	棘轮	Ratcher	1	
5	A00-12-5	垫圈17mm	WASHER 17MM	1	
6	A00-12-6	弹簧	Spring	1	
7	A00-12-7	起动轴弹簧座	KICK SPRING RETAINER	1	
8	A00-12-8	起动轴复位弹簧	KICK STARTER SPRING	1	
9	E15-12-9	棘轮弹簧座	Spring Seat	1	
10	E15-12-10	棘轮导向板	Guide	1	
11	E15-12-11	止推垫圈20mm	THRUST WASHER 20MM	1	
12	E15-12-12	档圈20mm	SER RING 20MM	2	
13	E15-12-13	档圈16mm	EXTERNAL CIRCLIP 16MM	1	同初级从动齿处
14	A00-12-14	起动杆总成	Kick-pedal Assy	1	
15	96006020	带盘螺栓M6×20	Bolt M6×20	1	
16	A00-12-16	起动杆组合	Kick-edal	1	





序号 Ref. No.	零部件编码 Part No.	零部件名称	Description	数量 Quantity	备注 Remark
1	A01K000	换档臂组件	Gearshift Shaft Assy	1	
2	A00-13-2	换档轴组合	Shaft, Gearshift	1	
3	A00-13-3	变档拨板组合	Shifter Set	1	
4	A00-13-4	副变档拨板	Shifter, Secondary	1	
5	A00-13-5	变档拨板	Shifter	1	
6	A00-13-6	变档拨板弹簧	Spring, Shifter	1	
7	A00-13-7	变档轴回位弹簧	Back Spring, Gearshift Shaft	1	
8	A00-13-8	轴套	Guide Sleeve	1	
9	D00K024	换档臂定位螺栓	Shift Return Spring Pin	1	
10	A00-13-10	螺钉M6×30	Bolt M6×30	1	
11	C03K060	变档鼓组件	Drum Set, Gearshift	1	
12	A00-13-12	变档鼓	Gear Shift Drum	1	
13	A00-13-13	档位指示销	Pin	5	
14	A00-13-14	档位指示销压板	Pressing Plate, Gearshift Indicator	1	
15	81906016BX	平头螺钉M6×16	Bolt M6×16	1	
16	A00K070	变速鼓定位板	Locating Plate	1	



序号 Ref. No.	零部件编码 Part No.	零部件名称	Description	数量 Quantity	备注 Remark
17	A00K071	变速鼓定位板螺栓	Screw	1	
18	A00H009	变速鼓定位板弹簧	Torque Spring	1	
19	A00-13-19	拨叉(二)	Fork(II)	2	
20	A00-13-20	拨销	Guide pin	2	
21	A00-13-21	弹簧夹	Circlip	2	
22	A00-13-22	变档杆总成	Shift Lever As	1	
23	A00-13-23	变档杆胶套	Boot, Shift Lever	1	
24	A00-13-24	变档杆焊接组合	shift lever Weldment	1	
25	A00-13-25	空档指示器接触片	Contact Plate	1	
26	7006014FH	内六角螺钉M6×14	Bolt M6×14	1	
27	A00-13-27	空档指示器油封	Oil Seal	1	
28	93060000	弹性垫圈6	Spring Washer 6	1	



